

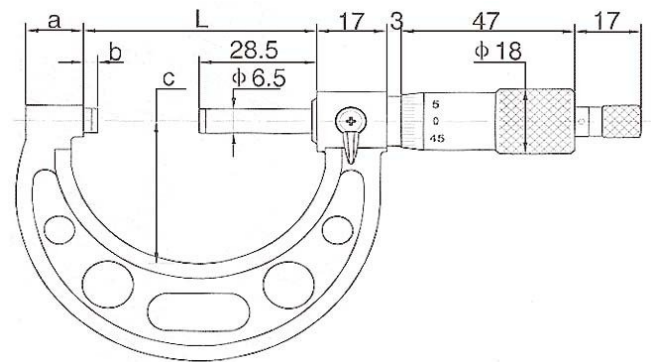
Product Brochure For Q109

Imperial Outside Micrometer - 10-109

3 - 4" Range



ORDER CODE:	Q109
Range (inch):	3 - 4"
Graduation (inch):	0.001"
a (mm):	15
b (mm):	3
c (mm):	60
L (mm):	107



Description

Measumax imperial micrometers represent exceptional value with special care in design and workmanship to ensure high precision and long life.
Measumax imperial micrometers meet industry standards for specification and accuracy.

Features

- Carbide measuring faces
- Measuring face 6.5mm, Flatness 0.0008mm
- Micro-fine clear graduations on satin chrome finish
- Ratchet stop for exact repetitive readings
- Includes deluxe foam lined plastic case and wrench
- Graduation 0.001"
- Painted cast frame
- Supplied with setting standards