

Product Brochure For P9052

SwiftCAM Level 3 Software Upgrade

ORDER CODE:	P9052
Type:	SwiftCAM Level 3 & Software
Part Number #:	~
Suits:	Swift-Cut Machines
Processes:	~



Software solutions for programming
plasma cutting machines



Description

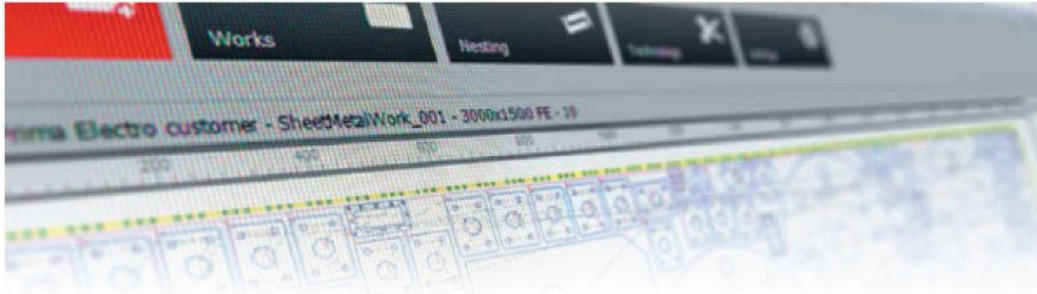
SwiftCAM Level 3
CAD/CAM software - multiple icon handling with automatic cutting path

Level 2 + cutting path auto correction, 3D simulation and cycle time calculation

Features

- This is the complete configuration of SwiftCAM, offering automatic nesting and automatic calculation of the cutting path
- The system automatically selects and applies the best type and position of lead-ins for any of the parts available on the plate
- Furthermore, all optimal parameters to handle the cutting technology will be automatically compiled thanks to specific parameters tables
- This configuration allows any operator to get to a correct programming of the machines in your workshops without any investment efforts that might be required to learn a new system

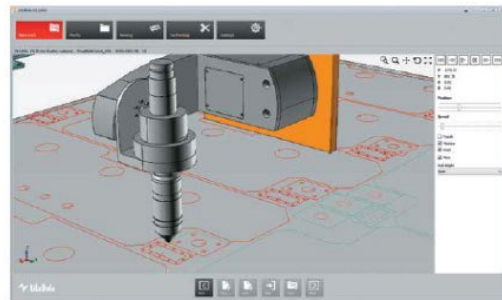
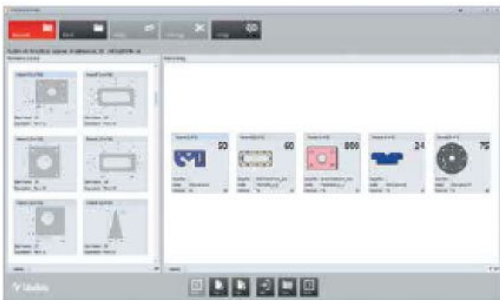
Product Brochure For P9052



SwiftCAM

powered by
Libellula

Software solutions for programming plasma cutting machines



SwiftCAM 3

CAD/CAM software - multiple icon handling with automatic cutting path

	SwiftCAM 1	SwiftCAM 2	SwiftCAM 3
DXF/DWG import	yes	yes	yes
2D icon parametric library	yes	yes	yes
Sheet properties description	yes	yes	yes
Icon handling	single	multiple	multiple
Nesting type	matrix	automatic	automatic
Cutting technology calculation	manual	manual	manual/automatic
Technological tables	-	-	yes
Cutting path visualization	yes	yes	yes
Cutting path check	-	-	yes
Path error correction	manual	manual	automatic
Post-processor	yes	yes	yes
2D cycle simulator	yes	yes	-
Realistic 3D cycle simulator	-	-	yes
Cutting time calculation	-	-	yes
Mod.HVAC optional module	-	yes	yes