

Product Brochure For P751

Ø51mm Round Punch - RPN4

Hi-Grade Tool Steel Imported From Japan



Description

Punch and Dies are Manufactured by Sunrise in Taiwan using Hi-Grade Tool Steel imported from Japan. The manufacturing process involves machining via hi tech CNC machines lathes & mills, vacuum heat treatment with multiple tempering at high temperatures before a final quality inspection/testing process all of which ensures an accurate, precise, durable & stable product.

Features

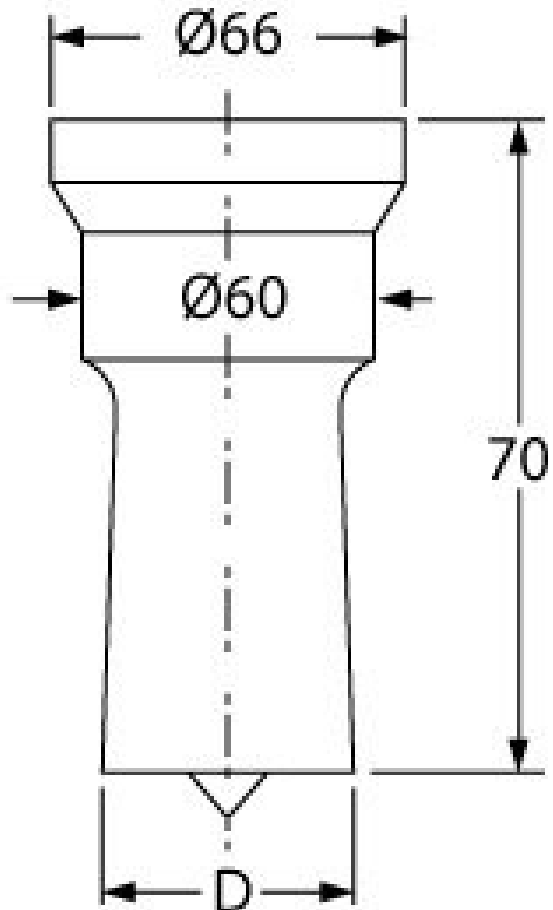
- PLEASE NOTE FOLLOWING RECOMMENDATIONS WHEN SELECTING DIE CLEARANCE:
- Material Thickness - 2 ~ 4mm = Die Clearance 0.2mm
- Material Thickness - 4 ~ 9.5mm = Die Clearance 0.7mm
- Material Thickness - 10 ~ 14.5mm = Die Clearance 1.2mm
- Material Thickness - 15 ~ 19.5mm = Die Clearance 1.7mm
- Material Thickness - 20 ~ 24mm = Die Clearance 2.2mm

Optional Accessories

- Other sizes and shapes available on request

Ex GST \$144.00 Inc GST \$165.60

ORDER CODE:	P751
MODEL:	RPN4
Type:	Punch
Punch Diameter (D) (mm):	Ø51
Die Diameter (D) (mm):	~
Pack Quantity (No.):	1



Product Brochure For P751

Recommended Accessories

P751B

Ø51.2mm Round Die - RDN3

