

Product Brochure For P740

## Ø40mm Round Punch - RPN2

Hi-Grade Tool Steel Imported From Japan



### Description

Punch and Dies are Manufactured by Sunrise in Taiwan using Hi-Grade Tool Steel imported from Japan. The manufacturing process involves machining via hi tech CNC machines lathes & mills, vacuum heat treatment with multiple tempering at high temperatures before a final quality inspection/testing process all of which ensures an accurate, precise, durable & stable product.

### Features

- PLEASE NOTE FOLLOWING RECOMMENDATIONS WHEN SELECTING DIE CLEARANCE:
- Material Thickness - 2 ~ 4mm = Die Clearance 0.2mm
- Material Thickness - 4 ~ 9.5mm = Die Clearance 0.7mm
- Material Thickness - 10 ~ 14.5mm = Die Clearance 1.2mm
- Material Thickness - 15 ~ 19.5mm = Die Clearance 1.7mm
- Material Thickness - 20 ~ 24mm = Die Clearance 2.2mm

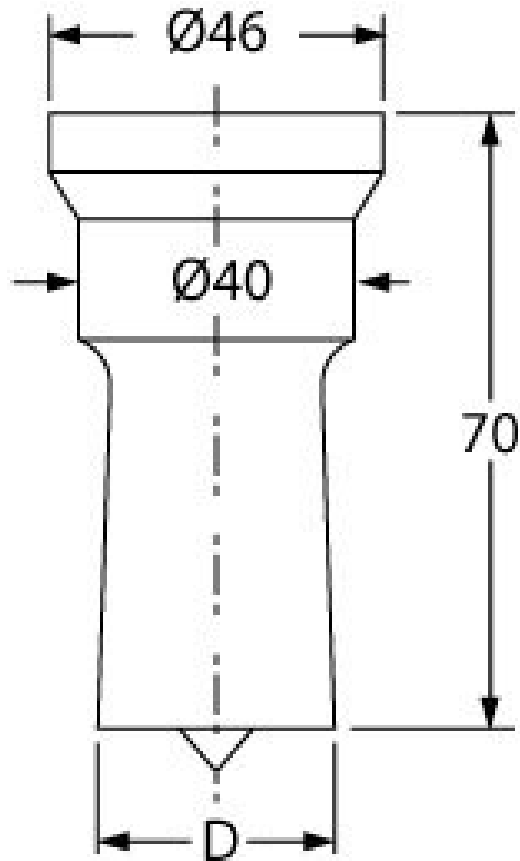
### Optional Accessories

- Other sizes and shapes available on request

Ex GST  
\$86.00

Inc GST  
\$98.90

ORDER CODE:	P740
MODEL:	RPN2
Type:	Punch
Punch Diameter (D) (mm):	Ø40
Die Diameter (D) (mm):	~
Pack Quantity (No.):	1



## Product Brochure For P740

---

### Recommended Accessories

P740B

Ø40.2mm Round Die - RDN2

P740A

Ø40.7mm Round Die - RDN2

P741A

Ø41.7mm Round Die - RDN3

