

Product Brochure For P734

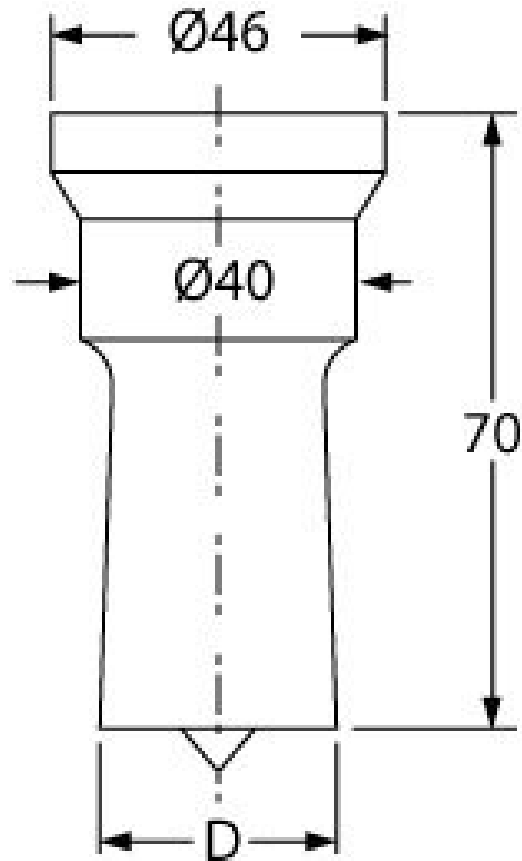
## Ø34mm Round Punch - RPN2

Hi-Grade Tool Steel Imported From Japan

Ex GST  
\$86.00

Inc GST  
\$98.90

ORDER CODE:	P734
MODEL:	RPN2
Type:	Punch
Punch Diameter (D) (mm):	Ø34
Die Diameter (D) (mm):	~
Pack Quantity (No.):	1



### Description

Punch and Dies are Manufactured by Sunrise in Taiwan using Hi-Grade Tool Steel imported from Japan. The manufacturing process involves machining via hi tech CNC machines lathes & mills, vacuum heat treatment with multiple tempering at high temperatures before a final quality inspection/testing process all of which ensures an accurate, precise, durable & stable product.

### Features

- PLEASE NOTE FOLLOWING RECOMMENDATIONS WHEN SELECTING DIE CLEARANCE:
- Material Thickness - 2 ~ 4mm = Die Clearance 0.2mm
- Material Thickness - 4 ~ 9.5mm = Die Clearance 0.7mm
- Material Thickness - 10 ~ 14.5mm = Die Clearance 1.2mm
- Material Thickness - 15 ~ 19.5mm = Die Clearance 1.7mm
- Material Thickness - 20 ~ 24mm = Die Clearance 2.2mm

### Optional Accessories

- Other sizes and shapes available on request

Product Brochure For P734

---

**Recommended Accessories**

**P734B**  
Ø34.2mm Round Die - RDN2



**P734A**  
Ø34.7mm Round Die - RDN2



**P735B**  
Ø35.2mm Round Die - RDN2



**P735A**  
Ø35.7mm Round Die - RDN2



**P736B**  
Ø36.2mm Round Die - RDN2



**P736A**  
Ø36.7mm Round Die - RDN2



**P737B**  
Ø37.2mm Round Die - RDN2

