

Product Brochure For P711

## Ø11mm Round Punch - RPN1

Hi-Grade Tool Steel Imported From Japan



### Description

Punch and Dies are Manufactured by Sunrise in Taiwan using Hi-Grade Tool Steel imported from Japan. The manufacturing process involves machining via hi tech CNC machines lathes & mills, vacuum heat treatment with multiple tempering at high temperatures before a final quality inspection/testing process all of which ensures an accurate, precise, durable & stable product.

### Features

- PLEASE NOTE FOLLOWING RECOMMENDATIONS WHEN SELECTING DIE CLEARANCE:
- Material Thickness - 2 ~ 4mm = Die Clearance 0.2mm
- Material Thickness - 4 ~ 9.5mm = Die Clearance 0.7mm
- Material Thickness - 10 ~ 14.5mm = Die Clearance 1.2mm
- Material Thickness - 15 ~ 19.5mm = Die Clearance 1.7mm
- Material Thickness - 20 ~ 24mm = Die Clearance 2.2mm

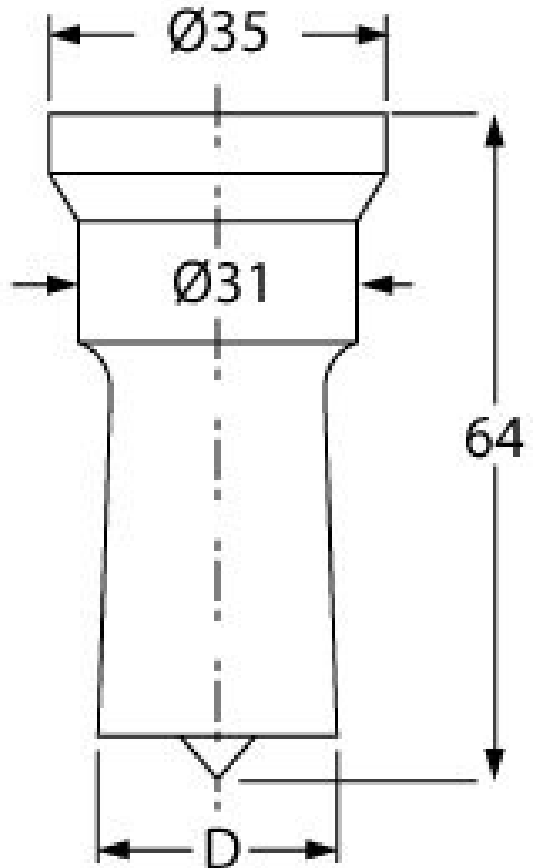
### Optional Accessories

- Other sizes and shapes available on request

Ex GST  
\$62.00

Inc GST  
\$71.30

ORDER CODE:	P711
MODEL:	RPN1
Type:	Punch
Punch Diameter (D) (mm):	Ø11
Die Diameter (D) (mm):	~
Pack Quantity (No.):	1



Product Brochure For P711

---

**Recommended Accessories**

P711B

Ø11.2mm Round Die - RDN1

P711A

Ø11.7mm Round Die - RDN1

P712B

Ø12.2mm Round Die - RDN1

