

Product Brochure For P710

Ø10mm Round Punch - RPN1

Hi -Grade Tool Steel Imported From Japan

On Sale

Ex GST

\$62.00

\$47.83

Inc GST

\$71.30

\$55.00



| | |
|--------------------------|-------|
| ORDER CODE: | P710 |
| MODEL: | RPN1 |
| Type: | Punch |
| Punch Diameter (D) (mm): | Ø10 |
| Die Diameter (D) (mm): | ~ |
| Pack Quantity (No.): | 1 |



Description

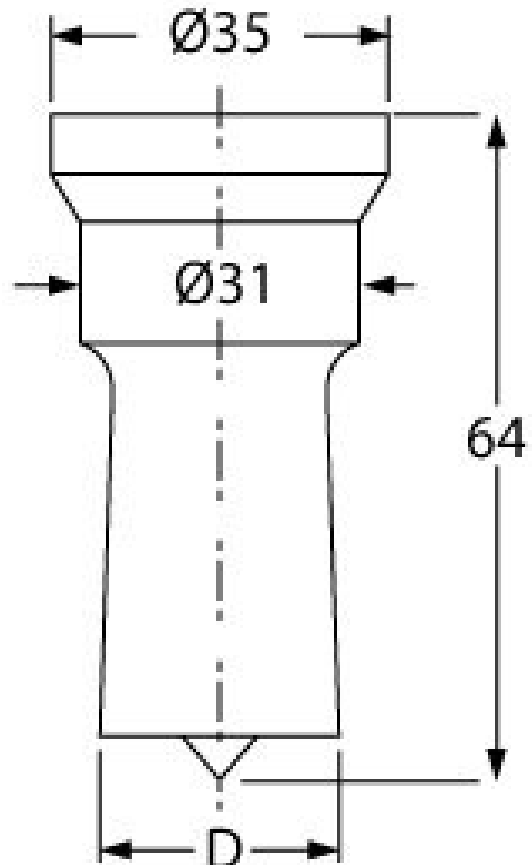
Punch and Dies are Manufactured by Sunrise in Taiwan using Hi -Grade Tool Steel imported from Japan. The manufacturing process involves machining via hi tech CNC machines lathes & mills, vacuum heat treatment with multiple tempering at high temperatures before a final quality inspection/testing process all of which ensures an accurate, precise, durable & stable product.

Features

- PLEASE NOTE FOLLOWING RECOMMENDATIONS WHEN SELECTING DIE CLEARANCE:
- Material Thickness - 2 ~ 4mm = Die Clearance 0.2mm
- Material Thickness - 4 ~ 9.5mm = Die Clearance 0.7mm
- Material Thickness - 10 ~ 14.5mm = Die Clearance 1.2mm
- Material Thickness - 15 ~ 19.5mm = Die Clearance 1.7mm
- Material Thickness - 20 ~ 24mm = Die Clearance 2.2mm

Optional Accessories

- Other sizes and shapes available on request



Product Brochure For P710

Recommended Accessories

P710B

Ø10.2mm Round Die - RDN1

P710A

Ø10.7mm Round Die - RDN1

P711B

Ø11.2mm Round Die - RDN1

