

Product Brochure For P708

Ø8mm Round Punch - RPN1

Hi -Grade Tool Steel Imported From Japan

**On Sale**

Ex GST

Inc GST

**\$62.00**

**\$71.30**

**\$47.83**

**\$55.00**



ORDER CODE:	P708
MODEL:	RPN1
Type:	Punch
Punch Diameter (D) (mm):	Ø8
Die Diameter (D) (mm):	~
Pack Quantity (No.):	1

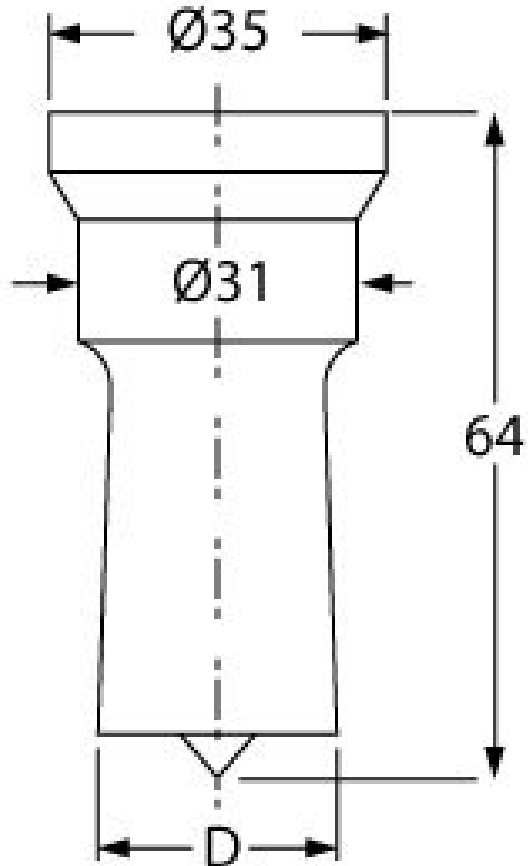


**Description**

Punch and Dies are Manufactured by Sunrise in Taiwan using Hi -Grade Tool Steel imported from Japan. The manufacturing process involves machining via hi tech CNC machines lathes & mills, vacuum heat treatment with multiple tempering at high temperatures before a final quality inspection/testing process all of which ensures an accurate, precise, durable & stable product.

**Features**

- PLEASE NOTE FOLLOWING RECOMMENDATIONS WHEN SELECTING DIE CLEARANCE:
- Material Thickness - 2 ~ 4mm = Die Clearance 0.2mm
- Material Thickness - 4 ~ 9.5mm = Die Clearance 0.7mm
- Material Thickness - 10 ~ 14.5mm = Die Clearance 1.2mm
- Material Thickness - 15 ~ 19.5mm = Die Clearance 1.7mm
- Material Thickness - 20 ~ 24mm = Die Clearance 2.2mm



## Product Brochure For P708

---

### Recommended Accessories

P708B

Ø8.2mm Round Die - RDN1

P708A

Ø8.7mm Round Die - RDN1

