

Product Brochure For P165

Ø6-26mm Round Punch & Dies Set - PDS-26

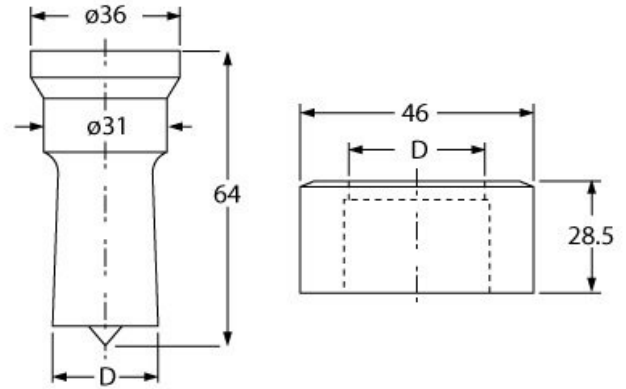
Hi -Grade Tool Steel Imported From Japan

20 Piece = 10 Sets

Ex GST
\$610.00

Inc GST
\$701.50

| | |
|--------------------------|-----------------|
| ORDER CODE: | P165 |
| MODEL: | - |
| Type: | Punch & Die Set |
| Punch Diameter (D) (mm): | Ø6 - 26 |
| Die Diameter (D) (mm): | Ø6.7 - 27.2 |
| Pack Quantity (No.): | 10 |



Description

Punch and Dies are Manufactured by Sunrise in Taiwan using Hi -Grade Tool Steel imported from Japan. The manufacturing process involves machining via hi tech CNC machines lathes & mills, vacuum heat treatment with multiple tempering at high temperatures before a final quality inspection/testing process all of which ensures an accurate, precise, durable & stable product.

Features

- Set includes punch & dies:
- 6mm Punch & 6.2mm Die
- 8mm Punch & 8.7mm Die
- 10mm Punch & 10.7mm Die
- 12mm Punch & 12.7mm Die
- 14mm Punch & 14.7mm Die
- 16mm Punch & 16.7mm Die
- 18mm Punch & 18.7mm Die
- 20mm Punch & 20.7mm Die
- 22mm Punch & 23.2mm Die
- 26mm Punch & 27.2mm Die

Product Brochure For P165

Recommended Accessories

P166

Ø11-40mm Round Punch &
Dies Set

