

Product Brochure For P040

## Dimple Die Set - 9 Piece - DDS-75

Includes 1/2", 3/4", 1", 1-1/4", 1-1/2", 1-3/4", 2", 2-1/4", 3" Dies

**Ex GST**  
**\$440.00**

**Inc GST**  
**\$506.00**



ORDER CODE:	P040
MODEL:	DDS-75
Product Type:	~
Number of Pieces (No.):	9
Capacity:	1/2" - 3"
Dolly Section Size:	~
Leather Bag Size (mm):	~
Hammer Type:	~
Auto Panel Restoration Dollies:	~
Auto Panel Restoration Spoons:	~
Stand Height (mm):	~
Nett Weight (kg):	16



### Description

The 9-piece Metalmaster dimple die set, manufactured from high strength chrome-molybdenum steel, is popular in metalworking and custom fabrication workshops. These dies are specifically designed to create flared holes, which help to strengthen metal sheets while also reducing weight, making them particularly useful in automotive, aviation, and off-road applications. Simply drill the recommended hole size in the metal that you desire to dimple, then depending on your preference you can use basic hand tools, or a workshop press to do the work.

### Features

- 9 Piece dimple die kit for flaring existing holes
- Manufactured from high strength chrome-molybdenum steel
- Simple to use with basic hand tools or in a workshop press
- Note: To prolong the life of the dies and draw bolts and to minimise marking on the work piece, it's recommended to apply lubrication during use.

### Includes

- Die sizes: 1/2", 3/4", 1", 1-1/4", 1-1/2", 1-3/4", 2", 2-1/4", 3"
- 2 x Press adaptors for use in workshop press
- 2 x Draw bolts for use with basic hand tools
- Blow molded storage case

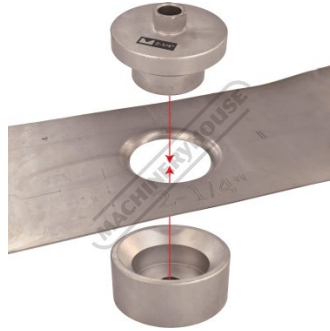
Product Brochure For P040

---

**Specific Features**



Carry Case



How To Use



Diple Example



Used With HFP 20 Hydraulic Press



Used With Ratchet Spanner