

Product Brochure For N026

Rivet Stud Inserts - M6 x 1.0mm

Steel - Zinc Plated
Qty 50 In Pack



Ex GST
\$42.00

Inc GST
\$48.30

ORDER CODE:	N026
MODEL:	-
Type:	Rivet Stud Inserts
Nut Insert Material (Type):	Steel - Zinc Coated
Quantity in Pack:	50
Rivet Nut Inserts Range (Metric):	-
Blind Rivets (mm):	-
Thread Size (T) (Metric):	M6 x 1.0
Thread Length (TL) (Metric):	20
Length (L) (mm):	14.4
Head Height (HH) (mm):	1.5
Head Diameter (HD) (mm):	13.1
Diameter (D) (mm):	8.9
Hole Size (HS) (mm):	9
Grip Range (GR) (mm):	0.75 - 3.00
Torque to Turn (Kgf.cm):	130

STUD INSERT



Description

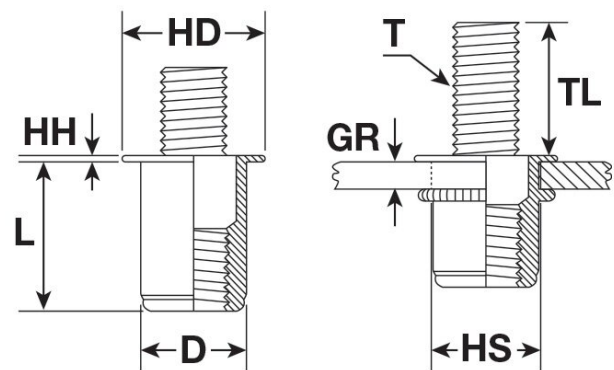
Suits RNB40 Twin Handle Nut Riveter

Features

- Steel - Zinc Coated
- Fast & easy installation from one side
- Adds a threaded stud to thin sheet metal
- Knurled section of the body for anti-rotation
- ** Easy to install with the RNB40 Nut Riveter
- ** NOTE: Requires M6 Stud Rivet Mandrel, sold separately (Order Code: N023)

Includes

- 50 x Rivet Stud Insert - M6 x 1.0mm
- 20mm thread length

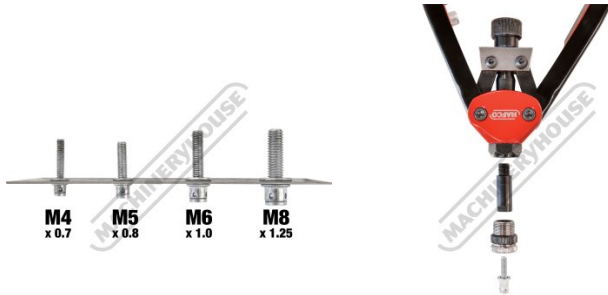


UNINSTALLED

INSTALLED

Product Brochure For N026

Specific Features



Stud Range N024 28

Shown with Optional Mandrel Adaptors N023 and Riveter Set N001

Recommended Accessories

N001

Nut & Blind Riveter Set - 130 Piece



N023

Rivet Stud Mandrels - M5, M6, M8



N025

Rivet Stud Inserts - M5 x 0.8mm



N028

Rivet Stud Inserts - M8 x 1.25mm



N024

Rivet Stud Inserts - M4 x 0.7mm



N022

Rivet Stud Mandrel & Adaptor - M4

