

Product Brochure For N010

## Rivet Nut Inserts - M10 x 1.5mm

Steel - Zinc Plated  
Qty 50 In Pack

Ex GST  
\$28.00

Inc GST  
\$32.20



|                                   |                     |
|-----------------------------------|---------------------|
| ORDER CODE:                       | N010                |
| MODEL:                            | -                   |
| Type:                             | Rivet Nut Inserts   |
| Nut Insert Material (Type):       | Steel - Zinc Coated |
| Quantity in Pack:                 | 50                  |
| Rivet Nut Inserts Range (Metric): | -                   |
| Blind Rivets (mm):                | -                   |
| Thread Size (T) (Metric):         | M10 x 1.5           |
| Thread Length (TL) (Metric):      | -                   |
| Length (L) (mm):                  | 18.5                |
| Head Height (HH) (mm):            | 1.5                 |
| Head Diameter (HD) (mm):          | 17.15               |
| Diameter (D) (mm):                | 12.9                |
| Hole Size (HS) (mm):              | 13                  |
| Grip Range (GR) (mm):             | 1.00 - 4.00         |
| Torque to Turn (Kgf.cm):          | 400                 |

## NUT INSERT



### Description

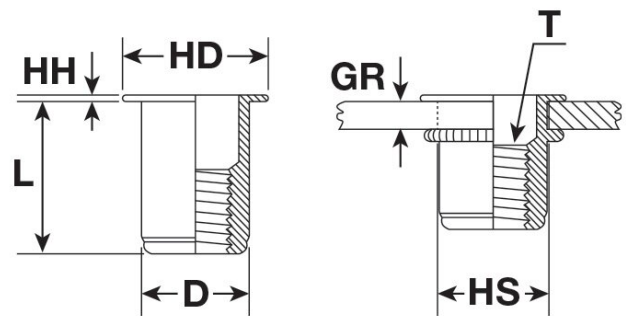
Suits ATR-10RN Air Operated or RNB40 Twin Handle Nut Riveters

### Features

- Steel - Zinc Coated
- Fast & easy installation from one side
- Adds a threaded nut to thin sheet metal
- Knurled section under nut head for anti-rotation
- Easy to install

### Includes

- 50 x Rivet Nut Inserts - M10 x 1.5mm



UNINSTALLED

INSTALLED

## Product Brochure For N010

### Specific Features



Packaging Front



Packaging Rear Side

### Recommended Accessories

N001

Nut & Blind Riveter Set - 130 Piece



N005

Rivet Nut Inserts - M5 x 0.8mm



N006

Rivet Nut Inserts - M6 x 1.0mm



N008

Rivet Nut Inserts - M8 x 1.25mm



N015

Rivet Nut Inserts - M5 x 0.8mm



N016

Rivet Nut Inserts - M6 x 1.0mm



N018

Rivet Nut Inserts - M8 x 1.25mm



N020

Rivet Nut Inserts - M10 x 1.5mm

