

## Product Brochure For M726

### Vernier Caliper

300mm / 12"  
Fine Adjuster



**On Sale**

**Ex GST**  
~~\$66.00~~  
**\$53.91**

**Inc GST**  
~~\$75.90~~  
**\$62.00**

ORDER CODE:	M726
Range:	300mm / 12"
Graduations:	0.02mm / 0.001"
Accuracy (mm):	±0.04
A (mm):	60
B (mm):	29
C (mm):	22
D (mm):	19
L (mm):	416
4 Way (Yes / No):	Yes



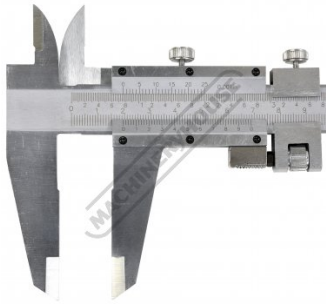
#### Features

- Manufactured from stainless steel
- Measuring faces are ground and lapped
- Graduations are clear and easy to read
- Both metric and imperial graduations
- Fine Adjustment
- All models have a position lock

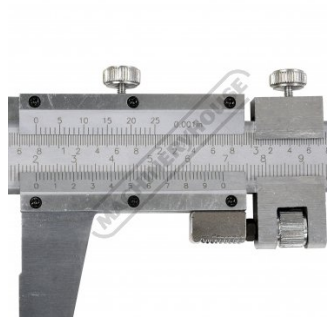
Product Brochure For M726

---

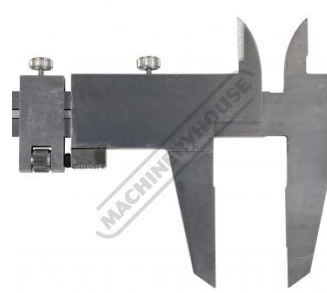
**Specific Features**



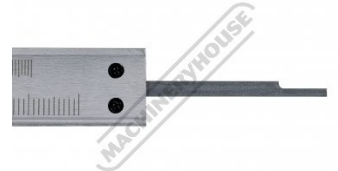
Internal-External Measuring Jaws



Vernier Head Lock Screw-Fine Adjustment



Height Measuring Slide



Depth Measuring Blade



Metric-Imperial Scale