

Product Brochure For M5185

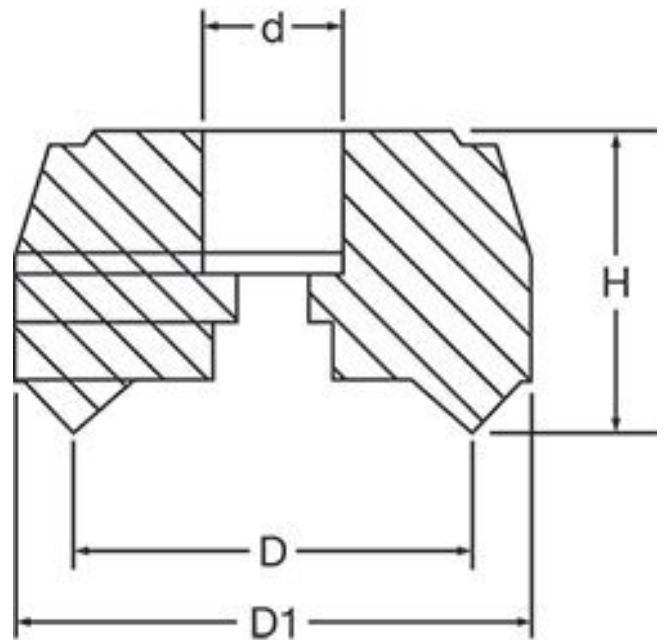
Face Mill 45° - Super High-Rake - F45SE12-D160

Ø160mm

Insert tip not included



ORDER CODE:	M5185
MODEL:	F45SE12-D160
Cutter Approach Angle (deg):	45°
D (mm):	160
D1 (mm):	114
H (mm):	60
d (lowercase):	40mm
Drawbar Thread:	~
Number of Inserts (No.):	10
Replacement Insert Tips:	(L065)
Nett Weight (kg):	1.85



Description

SUPER HIGH-RAKE FACE MILL - 160mm x 45°
Use carbide inserts (ISO) SEKT1204 (L065)
NOTE: Carbide Inserts not included

Features

- Suitable for low horsepower machines where rapid metal removal is required.
- Suitable for steel, cast iron and non-ferrous metals
- Positive rake

Includes

- Lock key for insert

Product Brochure For M5185

Recommended Accessories

L065
KYOCERA Carbide Inserts -
Milling



ML090
Cutter Part - Screw



L538
Key to Suit Tool Holder



M545
Face Mill Arbor



M555
Face Mill Arbor



T162
BT40-FMB40-60 Face Mill Arbor

