

Product Brochure For M517

## Face Mill 45° - Super High-Rake - F45SE12-D80

Ø80mm

Insert tip not included

**On Sale**

Ex GST	Inc GST
<del>\$184.00</del>	<del>\$211.60</del>
<b>\$146.96</b>	<b>\$169.00</b>



ORDER CODE:	M517
MODEL:	F45SE12-D80
Cutter Approach Angle (deg):	45°
D (mm):	80
D1 (mm):	93
H (mm):	50
d (lowercase):	27mm
Drawbar Thread:	-
Number of Inserts (No.):	6
Replacement Insert Tips:	(L065)
Nett Weight (kg):	1.35



### Description

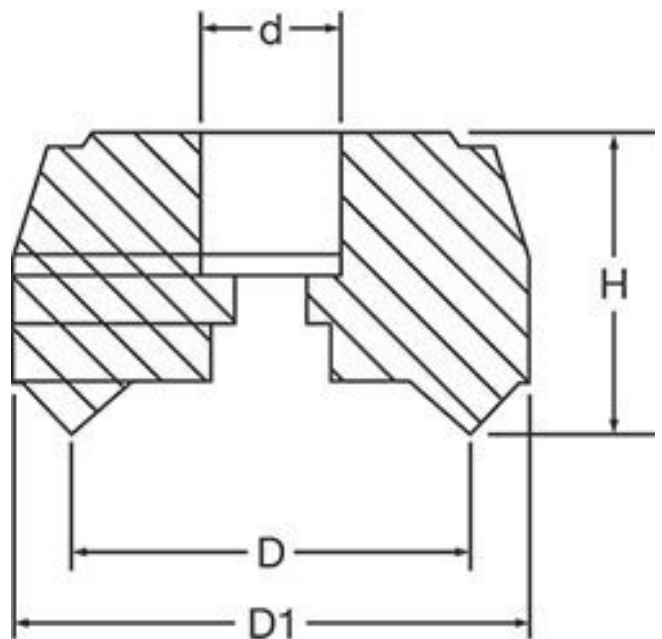
SUPER HIGH-RAKE FACE MILL - 80mm x 45°  
Use carbide inserts (ISO) SEKT1204 (L065)  
NOTE: Carbide Inserts not included

### Features

- Suitable for low horsepower machines where rapid metal removal is required.
- Suitable for steel, cast iron and non-ferrous metals
- Positive rake

### Includes

- Lock key for insert



Product Brochure For M517

**Recommended Accessories**

L065

KYOCERA Carbide Inserts -  
Milling



ML090

Cutter Part - Screw



L538

Key to Suit Tool Holder



M563

Face Mill Arbor



M536

Face Mill Arbor



M542

Face Mill Arbor



M552

Face Mill Arbor



T155

BT40-FMB27-45 Face Mill Arbor

