

Product Brochure For M217

NT40 Horizontal Milling Attachment - HMA-4105

Suits Ø105 & 86mm Quills

On Sale - Back In Stock Soon

Ex GST

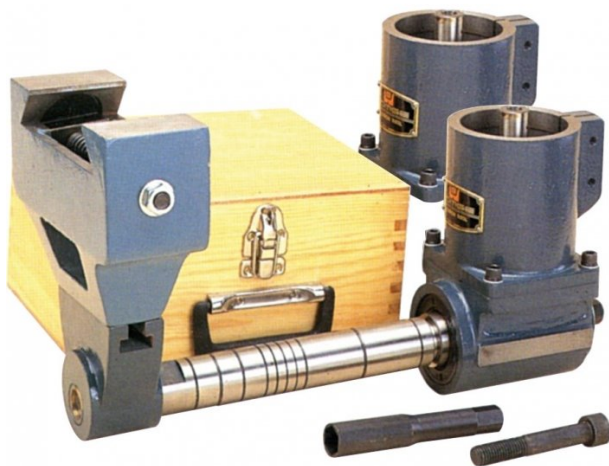
Inc GST

\$1,696.00

\$1,950.40

\$1,440.87

\$1,657.00



ORDER CODE:	M217
MODEL:	HMA-4105
Taper:	NT40
Quill Diameter (mm):	Ø105 & 86
Maximum Speed (rpm):	2000
A (deg):	50°
B (mm):	140 - 170
C (mm):	181
D (mm):	181
E (mm):	270
F (mm):	230
G (mm):	45
Nett Weight (kg):	34



Description

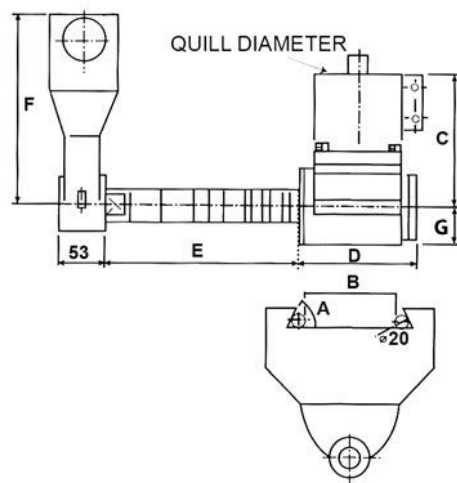
Manufactured in Taiwan

Used on vertical milling machine where horizontal work is required. Designed to simplify right angle work without the need for special tooling or complex fixtures.

Note! If using with an air powered drawbar the drive motor of the drawbar needs to be removed as the quill is lowered so that the horizontal attachment can be secured. As the quill is lowered the air drawbar is dis-engaged and cannot be used. For this application use a standard drawbar.

Features

- Arbor support suits dovetail widths of 140-170mm
- Supplied in deluxe wooden case
- Arbor Ø1" x 12" in length



Product Brochure For M217

Recommended Accessories

M630D

Industrial Turret Milling Machine

