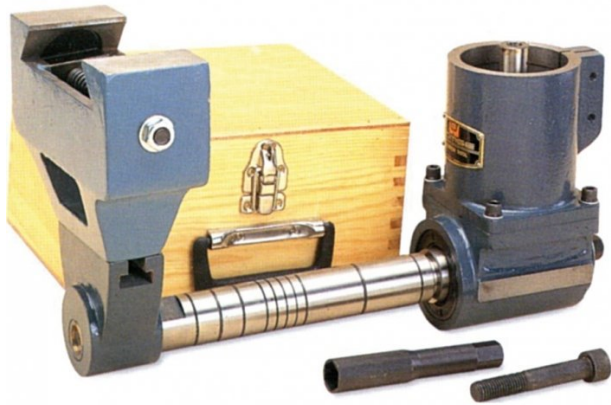


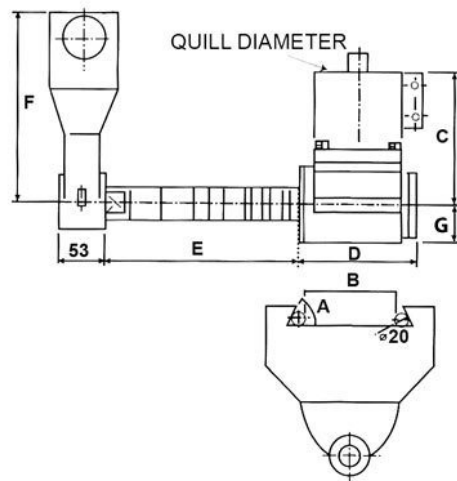
Product Brochure For M215

NT40 Horizontal Milling Attachment - HMA-486

Suits Ø86mm Quill



ORDER CODE:	M215
MODEL:	HMA-486
Taper:	NT40
Quill Diameter (mm):	Ø86
Maximum Speed (rpm):	2000
A (deg):	50°
B (mm):	140 - 170
C (mm):	181
D (mm):	181
E (mm):	270
F (mm):	230
G (mm):	45
Nett Weight (kg):	33



Description

Used on vertical milling machine where horizontal work is required. Designed to simplify right angle work without the need for special tooling or complex fixtures.

Note! If using with an air powered drawbar the drive motor of the drawbar needs to be removed as the quill is lowered so that the horizontal attachment can be secured. As the quill is lowered the air drawbar is dis-engaged and cannot be used. For this application use a standard drawbar.

Features

- Arbor support suits dovetail widths of 140-170mm
- Supplied in deluxe wooden case
- Arbor Ø1" x 12" in length