

Product Brochure For M173

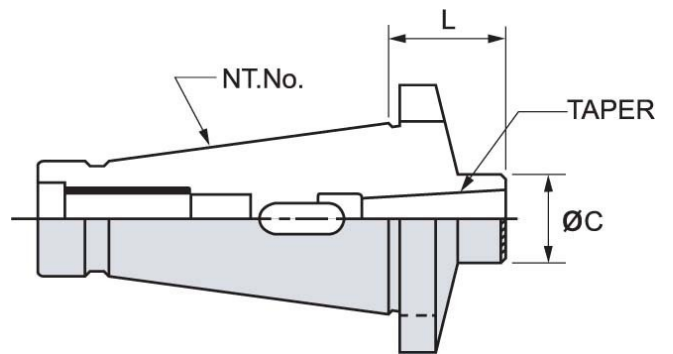
NT50-NT40 Milling Adaptor



**On Sale - Back In Stock Soon**

Ex GST	Inc GST
<del>\$208.00</del>	<del>\$239.20</del>
<b>\$165.22</b>	<b>\$190.00</b>

ORDER CODE:	M173
MODEL:	NT50-NT40
Outer Taper:	NT50
Inside Taper:	NT40
Drawbar Thread (mm / inch):	24mm
L (mm):	23
C (mm):	~
Nett Weight (kg):	2.00



**Description**

Precision reducing adaptor for NT50 to NT40

**Features**

- External and Internal taper precision ground