

Product Brochure For M167

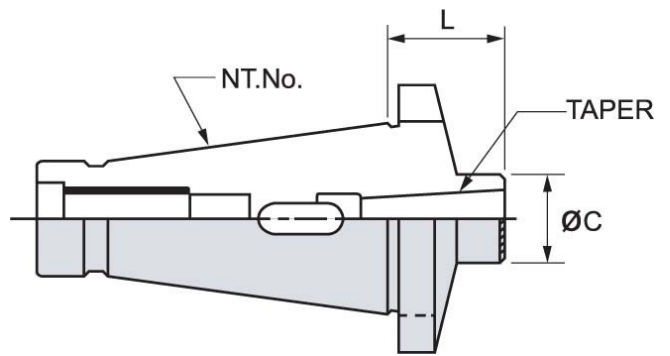
NT40-MT2-40 Milling Adaptor

**On Sale**

Ex GST	Inc GST
<b>\$110.00</b>	<b>\$126.50</b>
<b>\$87.83</b>	<b>\$101.00</b>



ORDER CODE:	M167
MODEL:	NT40-MT2-40
Outer Taper:	NT40
Inside Taper:	MT2
Drawbar Thread (mm / inch):	16mm
L (mm):	40
C (mm):	32
Nett Weight (kg):	1.00



**Description**

Precision ground and hardened.  
Morse taper adaptors are used to adapt a Morse taper tool or cutter to any spindle taper