

Product Brochure For M137

Mill Drill - Belt Drive - HM-32B

Table Travel: (X) - 540mm (Y) - 235mm (Z) - 310mm



Ex GST
\$2,746.00

Inc GST
\$3,157.90

ORDER CODE:	M137
MODEL:	HM-32B
Digital Readout:	Optional
Type:	Vertical
Table Size (mm):	820 x 240
Column Type:	Ø115mm
Spindle Taper - Vertical:	3MT
Spindle Taper - Horizontal:	~
Longitudinal Travel (X-Axis) (mm):	540
Cross Travel (Y-Axis) (mm):	235
Vertical Travel (Z-Axis) (mm):	310
Type of Slides:	Dovetail
Ram Travel (mm):	~
Spindle to Table (mm):	465
Spindle to Base:	~
Spindle Travel / Diameter (mm):	130 / 75
Throat Depth (max.) (mm):	202
Tilting Head (Left ~ Right):	Fixed
Tilting Head (Forward ~ Back):	Fixed
Drilling Capacity (mm):	31.5
End Milling Capacity (mm):	22
Face Milling Capacity (mm):	80
Power Feed - Quill (mm/rev):	~
Power Feed - Longitudinal (X-Axis) (mm/min):	Optional
Power Feed - Cross (Y-Axis) (mm/min):	~
Power Feed - Vertical (Z-Axis) (mm/min):	~
Table T-Slot Size (inch / mm):	14
Work Table Load Capacity (kg):	55
Spindle Speeds Vertical (No./ rpm):	12 (100 - 2080)
Spindle Speeds Horizontal (No./ rpm):	~
Spindle Speeds - Universal Head:	~
Motor Power - Vertical Spindle (kW / hp):	1.5 / 2
Motor Power - Horizontal Spindle (kW / hp):	~
Motor Power - Universal Head:	~
Voltage / Amperage (V / amp):	240 / 10
Nett Weight (kg):	310

Description

This new model HM-32B is a rugged and well made machine with good capacities and plenty of power, a good choice for a serious home engineer.

The belt driven head provides a useful range of 12 speeds, 100-2080rpm and is quiet in operation, the head can be re-positioned on the column with the aid of a handle driven rack and pinion drive.

The table has T slots to allow the work to be directly mounting to table, or in a milling vice, with two large diameter control hand wheels with metric calibrations for the longitudinal axis.

The fine downfeed control can be locked firmly in position when milling and the mill also features an easy-to-read depth stop.

Optional power feed provides smooth variable speed drive to longitudinal travel

Features

- Quiet B section belt drive system
- Milling head rotates 360° on column

Product Brochure For M137

- Extra large 820 x 240mm ground work table with T-slots
- Adjustable leadscrew nuts eliminating backlash on both axis
- Fine feed hand wheel operating quill feed
- Forward and reverse on/off switch with emergency stop
- 3MT spindle with 75mm diameter quill
- Adjustable table and drill length stops
- Rack and pinion wind-up head
- Rear slide-way cover and slide clamps on all axis
- Spindle lock for quill
- Table locks on both axis
- Metric dial graduations @ 0.05mm for X & Y axis

Includes

- Drill chuck & arbor
- 3MT-2MT drill sleeve
- Face cutter & arbor
- Interlocked spindle safety guard
- 1/2" x 12tpi whitworth drawbar
- M12 x 1.75mm metric drawbar

Optional Accessories

- Machine stand (M135)
- Power feed X-Axis (M230)
- Transformer to suit power feed (M240)

Specific Features



Mill Head



Spindle Power Controls



Quill Handle



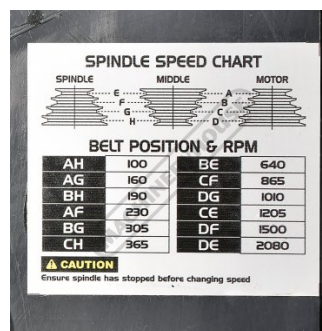
Fine Feed Handle



Rack-Pinion Wind Up Head



Belt Drive



Spindle Speed Chart



Interlocked Spindle Safety Guard

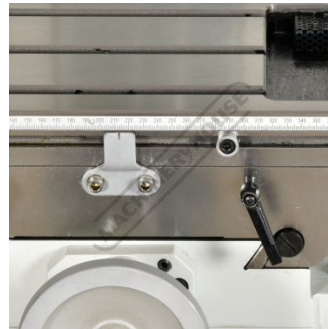
Product Brochure For M137



Ø45mm MT3 Face Mill Cutter



Work Table



Adjustable Length Stops



Rear Slide Cover



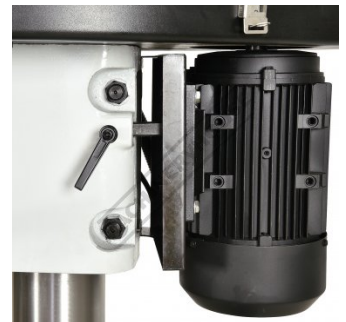
Table Cross Feed Handle



Table Longitudinal Handle



Coolant Hose Connection



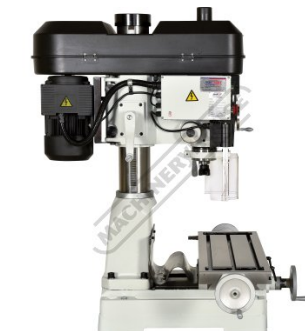
Motor & Belt Tension Adjustment



Motor Drive Rear View



Right Side View



Left Side View



Left View



Front View



Shown With Optional Stand M135A

Product Brochure For M137

Recommended Accessories

M135
Mill Drill Stand



D695
3-Axis Optimum Digital Readout Counter - 1µm



D694
1500mm Optimum Magnetic Digital Readout Scale



D5210
220mm Sino Digital Readout Scale



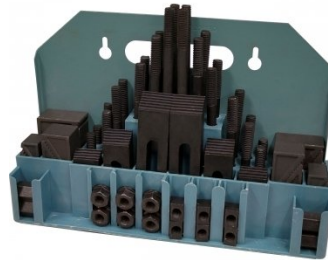
M230
Power Feed Unit



M240
Transformer



C0965
Clamp Kit 58 piece - Workshop Series



K150
Mill-Drill Accessory Package Deal - Imperial Cutters



Product Brochure For M137

K151
Mill-Drill Accessory Package Deal - Metric Cutters



C922B
Collet & Chuck Set - 8 Piece



C926
Collet & Chuck Set - 20 Piece



M3301
Metric HSS Slot Drill & End Mill Set - 10 Piece



M3321
Imperial HSS Slot Drill & End Mill Set - 10 Piece



M3280
13mm HSS End Mill Long Series



M182
Precision Boring Head Kit



M192
Boring Head Shank



M180
Boring Bar Set - 9 piece



M250
Parallel Set - 8 Piece



M530
Universal Milling Kit - 4 Piece



M562
Face Mill Arbor



Product Brochure For M137

M515
Face Mill 45° - Super High-Rake



L065
KYOCERA Carbide Inserts - Milling



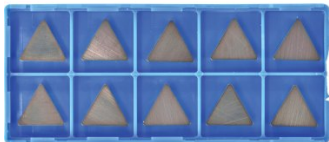
M528
Face Mill 90° - Positive Rake



M529
Face Mill 90° - Positive Rake



L066
KYOCERA Carbide Inserts - Milling



D1171
Metric Industrial HSS Reduced Shank Drill Set



D1181
Imperial Industrial HSS Reduced Shank Drill Set



D117
Metric HSS Reduced Shank Drill Set



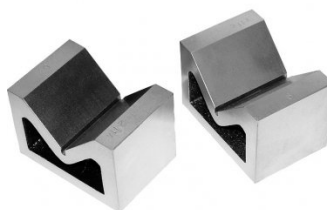
D119
Metric 2MT HSS Drill Set



D122
Metric Precision 2MT Morse Taper Drill Set - 10 Piece



V004
Cast Iron Vee Block



V105
Vertex K-Type Milling Vice



Product Brochure For M137

R006
Vertex Rotary Table



P235
Coolant Pump & Tank



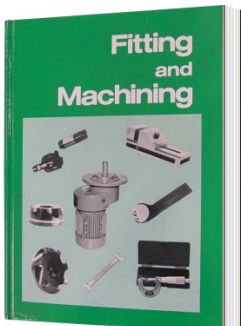
S090A
Soluble Metal Cutting Fluid - 1 Litre



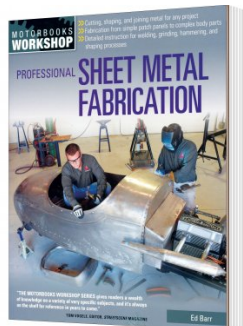
S090
Soluble Metal Cutting Fluid - 5 Litre



L341
Fitting and Machining Technical Book



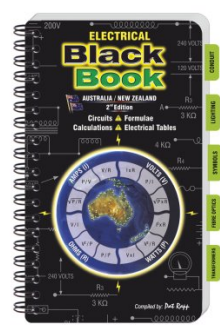
L3455
Professional Sheet Metal Fabrication Book



L345
Handy Workshop Tips & Techniques - 1st Edition



L342
Electrical Black Book



L300
Magnetic Swarf Remover



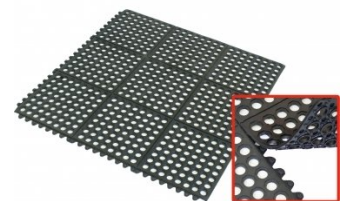
M9991
Magnetic Floor Sweeper



M800
Rubber Mat - Anti-Fatigue



M805
Rubber Mat - Anti-Fatigue



Product Brochure For M137

O043
Rust & Corrosion Preventive



O042
General Purpose Lubricant & Corrosion Inhibitor



O044
Rust & Corrosion Preventive

