

Product Brochure For L8125

Roller Conveyor - RC-290S

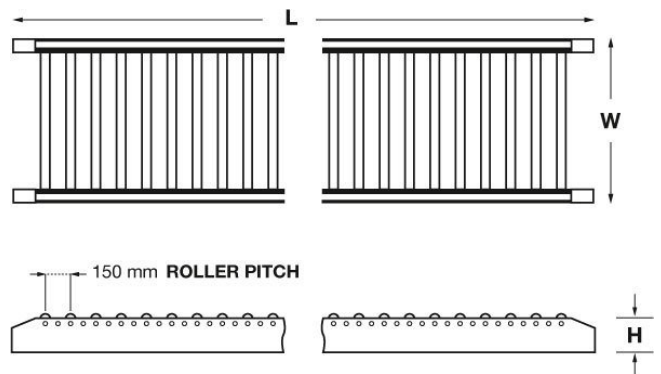
290 x 1500mm
Ø50mm Rollers

Ex GST
\$208.00

Inc GST
\$239.20



ORDER CODE:	L8125
MODEL:	RC-290S
Roller Width (mm):	215
Roller Pitch (mm):	150
No. Rollers (No.):	10
Roller Diameter (mm):	Ø50
Frame Length (L) (mm):	1500
Frame Width (W) (mm):	290
Frame Height (H) (mm):	80
Height Adjustment (mm):	~
Load Capacity with 2 x Support Legs (kg):	400
Load Capacity with 3 x Support Legs (kg):	~



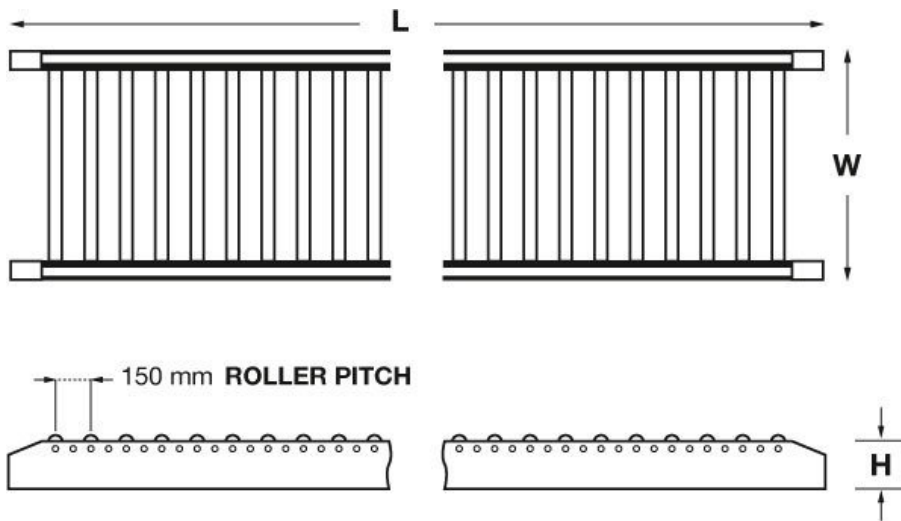
Features

- Roller capacity of 60kg each
- 10 x Zinc plated steel rollers at 150mm pitch
- Rollers are Ø50mm with commercial bearings
- Frames are powder coated
- Conveyor is pre-assembled with 4 cross-members
- Frames are pre-drilled at 75mm pitch to accept "Optional 9 rollers" totalling to 19 rollers
- Please Note:
- Roller load capacity is calculated on even weight distribution over entire roller
- Total load capacity is calculated on even weight distribution over entire roller conveyor system

Includes

- 10 steel rollers @ 150mm pitch

Product Brochure For L8125



Recommended Accessories

L816
Roller Conveyor Stand

L814
Roller Conveyor Stand

L812A
Steel Conveyor Roller

W343A
Roller Stand



Product Brochure For L8125

W343
Roller Stand



W3434
Roller Stand



W3436
Roller Stand - V-Type

