

Product Brochure For L812

## Roller Conveyor - RC-290

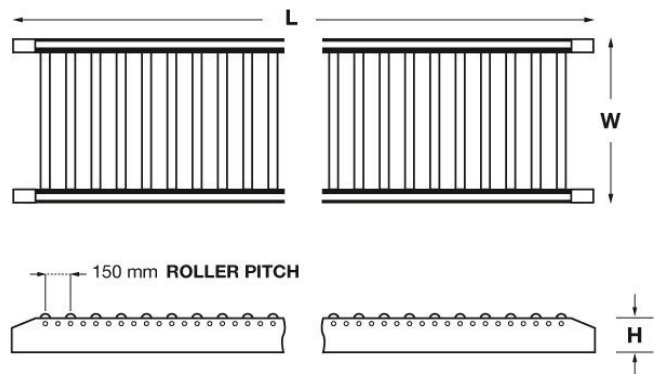
290 x 3000mm  
Ø50mm Rollers

**Ex GST**  
**\$354.00**

**Inc GST**  
**\$407.10**



ORDER CODE:	L812
MODEL:	RC-290
Roller Width (mm):	215
Roller Pitch (mm):	150
No. Rollers (No.):	20
Roller Diameter (mm):	Ø50
Frame Length (L) (mm):	3000
Frame Width (W) (mm):	290
Frame Height (H) (mm):	80
Height Adjustment (mm):	~
Load Capacity with 2 x Support Legs (kg):	400
Load Capacity with 3 x Support Legs (kg):	1000



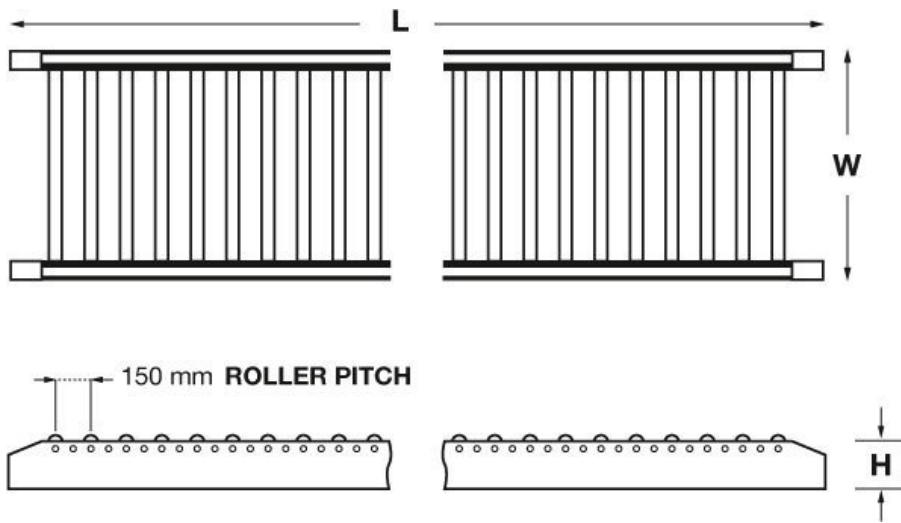
### Features

- Roller capacity of 60kg each
- 20 x Zinc plated steel rollers at 150mm pitch
- Rollers are Ø50mm with commercial bearings
- Frames are powder coated
- Conveyor is pre-assembled with 7 cross-members
- Frames are pre-drilled at 75mm pitch to accept "Optional 19 rollers" totalling to 39 rollers
- Please Note:
- Roller load capacity is calculated on even weight distribution over entire roller
- Total load capacity is calculated on even weight distribution over entire roller conveyor system

### Includes

- 20 steel rollers @ 150mm pitch

Product Brochure For L812



**Recommended Accessories**

L816  
Roller Conveyor Stand

L814  
Roller Conveyor Stand

L812A  
Steel Conveyor Roller

W343A  
Roller Stand



Product Brochure For L812

---

W343  
Roller Stand



W3434  
Roller Stand



W3436  
Roller Stand - V-Type

