

Product Brochure For L426

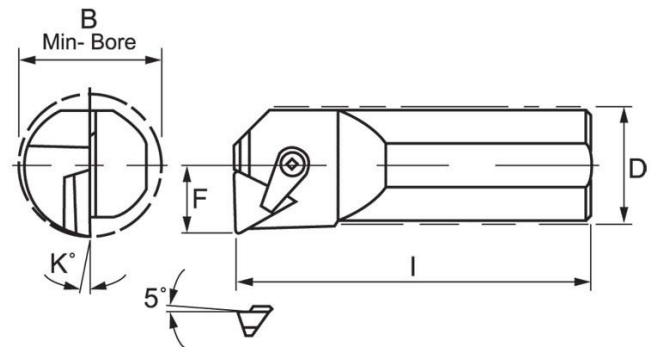
Right Hand Boring Bar - S25T-CTFPR-16

Ø25mm

Insert tip not included



ORDER CODE:	L426
Part Number - Style:	~
Size (mm):	25
Hand Type:	RIGHT
B = Minimum Bore (mm):	34
D (mm):	25
F (mm):	17
L (mm):	300
K (deg):	3°
Minimum Bore (mm):	29.5



Description

NOTE: Inserts NOT included with tool holders.

Use insert TPRM 160308 (L063)

Features

- Positive rake turning tool holder with 90° approach angle
- Suitable for heavy duty cutting

Product Brochure For L426

Specific Features



Full View



Side View



Locking Tool

Recommended Accessories

L063
KYOCERA Carbide Inserts - Turning

L535
Clamp to Suit Turning Tool Holders

L5365
Clamp Screw to Suit Boring Bar

L006A
Boring Bar Set - HSS



L431
Boring Bar Set - Carbide Insert

L430
Boring Bar Set - Carbide Insert

L072
HSS Turning Tool Set - 4 piece

L0085
Carbide Turning Tool Set - 11 piece



Product Brochure For L426

L0055

Lathe Turning Tool Kit - 5 piece
Insert Type



L0099

Lathe Turning Tool Kit - 7 piece
Insert Type



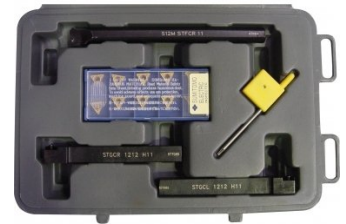
L0077

Lathe Turning Tool Kit - 7 piece
Insert Type



L450

Lathe Turning Tool Kit - 3 piece
Insert Type



L451

Lathe Turning Tool Kit - 3 piece
Insert Type



L452

Lathe Turning Tool Kit - 3 piece
Insert Type



L453

Lathe Turning Tool Kit - 3 piece
Insert Type



L456

Lathe Threading Tool Kit - Insert
Type



L457

Lathe Threading Tool Kit - Insert
Type



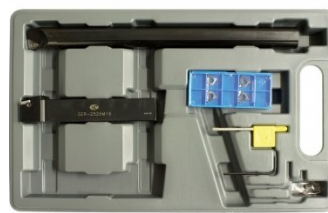
L458

Lathe Threading Tool Kit - Insert
Type



L459

Lathe Threading Tool Kit - Insert
Type



L464

Professional Lathe Parting Tool
Kit - Insert Type



Product Brochure For L426

L465

Professional Lathe Parting Tool
Kit - Insert Type



L466

Professional Lathe Parting Tool
Kit - Insert Type



L467

Professional Lathe Parting Tool
Kit - Insert Type

