

Product Brochure For L424

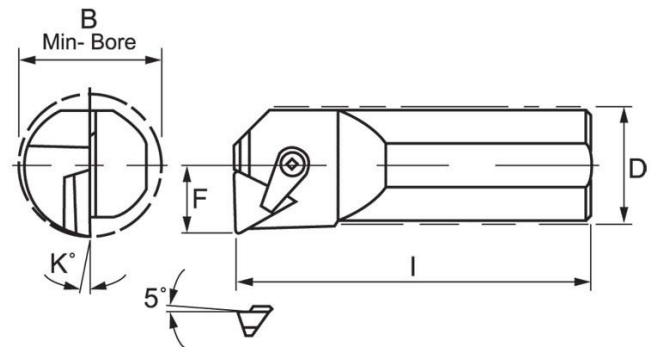
Right Hand Boring Bar - S20S-CTFPR-11

Ø20mm

Insert tip not included



ORDER CODE:	L424
Part Number - Style:	~
Size (mm):	20
Hand Type:	RIGHT
B = Minimum Bore (mm):	26
D (mm):	20
F (mm):	13
L (mm):	250
K (deg):	3°
Minimum Bore (mm):	23



Description

NOTE: Inserts NOT included with tool holders.

Use insert TPRM 110304 (L061)

Features

- Positive rake turning tool holder with 90° approach angle
- Suitable for heavy duty cutting

Product Brochure For L424

Specific Features



Side View

Recommended Accessories

L061
KYOCERA Carbide Inserts -
Turning



L533
Clamp to Suit Turning Tool
Holders



L534
Clamp Screw to Suit Tool
Holders



L006A
Boring Bar Set - HSS



L431
Boring Bar Set - Carbide Insert



L430
Boring Bar Set - Carbide Insert



L072
HSS Turning Tool Set - 4 piece



L0085
Carbide Turning Tool Set - 11
piece



Product Brochure For L424

L0055
Lathe Turning Tool Kit - 5 piece
Insert Type



L0099
Lathe Turning Tool Kit - 7 piece
Insert Type



L0077
Lathe Turning Tool Kit - 7 piece
Insert Type



L450
Lathe Turning Tool Kit - 3 piece
Insert Type



L451
Lathe Turning Tool Kit - 3 piece
Insert Type



L452
Lathe Turning Tool Kit - 3 piece
Insert Type



L453
Lathe Turning Tool Kit - 3 piece
Insert Type



L456
Lathe Threading Tool Kit - Insert
Type



L457
Lathe Threading Tool Kit - Insert
Type



L458
Lathe Threading Tool Kit - Insert
Type



L459
Lathe Threading Tool Kit - Insert
Type



L464
Professional Lathe Parting Tool
Kit - Insert Type



Product Brochure For L424

L465

Professional Lathe Parting Tool
Kit - Insert Type



L466

Professional Lathe Parting Tool
Kit - Insert Type



L467

Professional Lathe Parting Tool
Kit - Insert Type

