

Product Brochure For L422

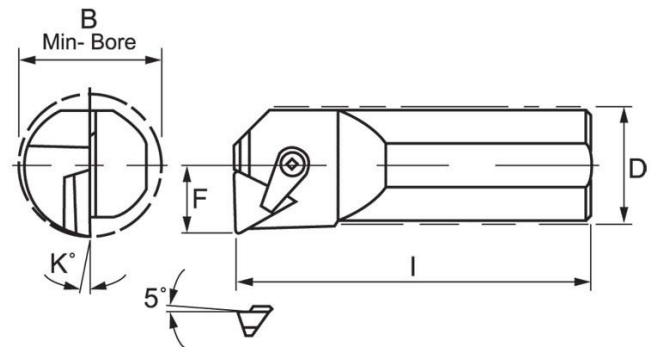
Right Hand Boring Bar - S16Q-CTFPR-11

Ø16mm

Insert tip not included



ORDER CODE:	L422
Part Number - Style:	~
Size (mm):	16
Hand Type:	RIGHT
B = Minimum Bore (mm):	22
D (mm):	16
F (mm):	11
L (mm):	200
K (deg):	4°
Minimum Bore (mm):	19



Description

NOTE: Inserts NOT included with tool holders.

Use insert TPRM 110304 (L061)

Features

- Positive rake turning tool holder with 90° approach angle
- Suitable for heavy duty cutting

Product Brochure For L422

Recommended Accessories

L061
KYOCERA Carbide Inserts -
Turning



L533
Clamp to Suit Turning Tool
Holders



L534
Clamp Screw to Suit Tool
Holders



L006A
Boring Bar Set - HSS



L431
Boring Bar Set - Carbide Insert



L430
Boring Bar Set - Carbide Insert



L072
HSS Turning Tool Set - 4 piece



L0085
Carbide Turning Tool Set - 11
piece



Product Brochure For L422

L0055

Lathe Turning Tool Kit - 5 piece
Insert Type



L0099

Lathe Turning Tool Kit - 7 piece
Insert Type



L0077

Lathe Turning Tool Kit - 7 piece
Insert Type



L450

Lathe Turning Tool Kit - 3 piece
Insert Type



L451

Lathe Turning Tool Kit - 3 piece
Insert Type



L452

Lathe Turning Tool Kit - 3 piece
Insert Type



L453

Lathe Turning Tool Kit - 3 piece
Insert Type



L456

Lathe Threading Tool Kit - Insert
Type



L457

Lathe Threading Tool Kit - Insert
Type



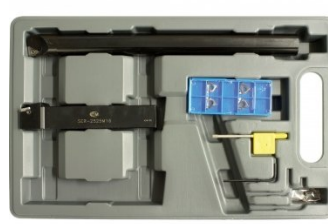
L458

Lathe Threading Tool Kit - Insert
Type



L459

Lathe Threading Tool Kit - Insert
Type



L464

Professional Lathe Parting Tool
Kit - Insert Type



Product Brochure For L422

L465

Professional Lathe Parting Tool
Kit - Insert Type



L466

Professional Lathe Parting Tool
Kit - Insert Type



L467

Professional Lathe Parting Tool
Kit - Insert Type

