

Product Brochure For L420

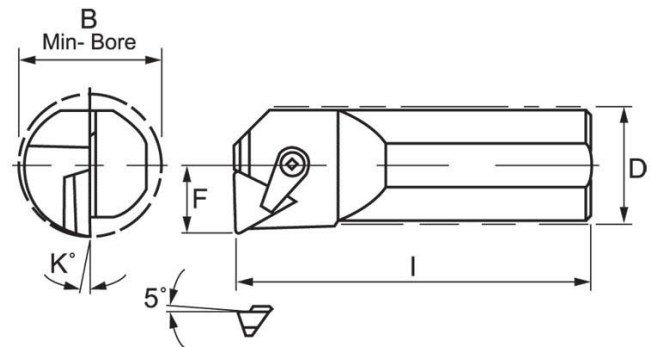
Right Hand Boring Bar - S12S-CTFPR-11

Ø12mm

Insert tip not included



ORDER CODE:	L420
Part Number - Style:	~
Size (mm):	12
Hand Type:	RIGHT
B = Minimum Bore (mm):	18
D (mm):	12
F (mm):	8
L (mm):	150
K (deg):	6°
Minimum Bore (mm):	14.5



Description

NOTE: Inserts NOT included with tool holders.

Use insert TPRM 110304 (L061)

Features

- Positive rake turning tool holder with 90° approach angle
- Suitable for heavy duty cutting

Product Brochure For L420

Specific Features



Side View

Recommended Accessories

L061
KYOCERA Carbide Inserts -
Turning



L006A
Boring Bar Set - HSS



L431
Boring Bar Set - Carbide Insert



L430
Boring Bar Set - Carbide Insert



L072
HSS Turning Tool Set - 4 piece



L0085
Carbide Turning Tool Set - 11
piece



L0055
Lathe Turning Tool Kit - 5 piece
Insert Type



L0099
Lathe Turning Tool Kit - 7 piece
Insert Type



Product Brochure For L420

L0077
Lathe Turning Tool Kit - 7 piece
Insert Type



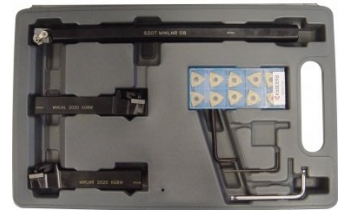
L450
Lathe Turning Tool Kit - 3 piece
Insert Type



L451
Lathe Turning Tool Kit - 3 piece
Insert Type



L452
Lathe Turning Tool Kit - 3 piece
Insert Type



L453
Lathe Turning Tool Kit - 3 piece
Insert Type



L456
Lathe Threading Tool Kit - Insert
Type



L457
Lathe Threading Tool Kit - Insert
Type



L458
Lathe Threading Tool Kit - Insert
Type



L459
Lathe Threading Tool Kit - Insert
Type



L464
Professional Lathe Parting Tool
Kit - Insert Type



L465
Professional Lathe Parting Tool
Kit - Insert Type



L466
Professional Lathe Parting Tool
Kit - Insert Type



Product Brochure For L420

L467

Professional Lathe Parting Tool
Kit - Insert Type

