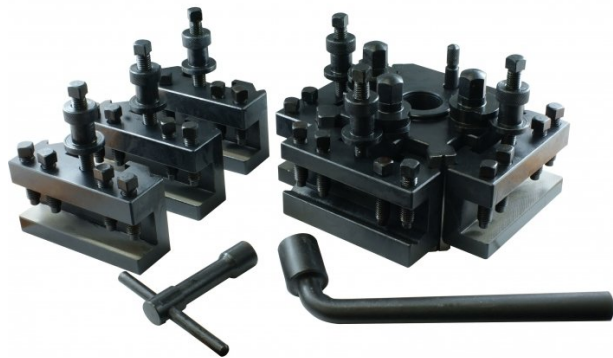


Product Brochure For L294

Quick Change Toolpost - BR-BP

202mm Lathe Centre Height



Ex GST
\$818.00

Inc GST
\$940.70

ORDER CODE:	L294
MODEL:	BR-BP
Lathe Centre Height (mm):	202
Lathe Swing (mm):	404
A (mm):	15
B (mm):	13
C (mm):	90
D (mm):	115
E (mm):	~
H (mm):	38 - 53
h (mm):	75
S (mm):	28
T (mm):	25
Y (mm):	~
Number of Sides (No.):	3
Number of Holders (No.):	6
Nett Weight (kg):	17.5



Description

Manufactured from carbonized and hardened steel.
Italian design style.

Features

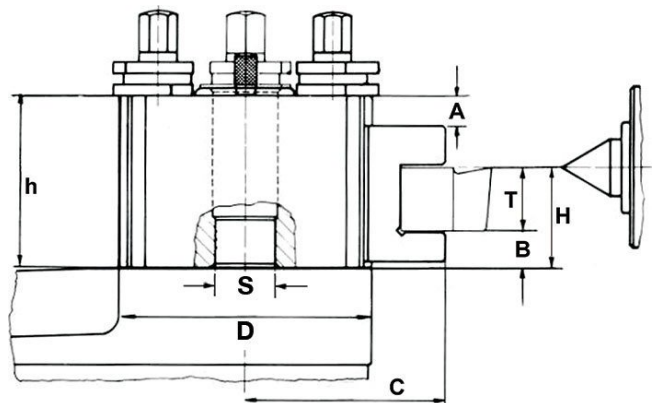
- All bearing surfaces are precision ground to ensure rigidity
- Handy lathe accessory for tool rooms and general engineering shops
- Ease of operation cuts set-up time by 90%
- No shims are required to adjust tools to correct centre height
- Easily fitted to most centre lathes
- Please Note: Some machining required to suit your lathe

Includes

- 5 x Square Tool Holders - for 25mm tools
- 1 x Vee Tool Holders - for boring bars

Optional Accessories

- Holders - L294A



Product Brochure For L294

Recommended Accessories

L294A

Quick Change Toolpost Holder -
Std



L2901

Toolpost T-Handle



L2906

Toolpost Spanner

