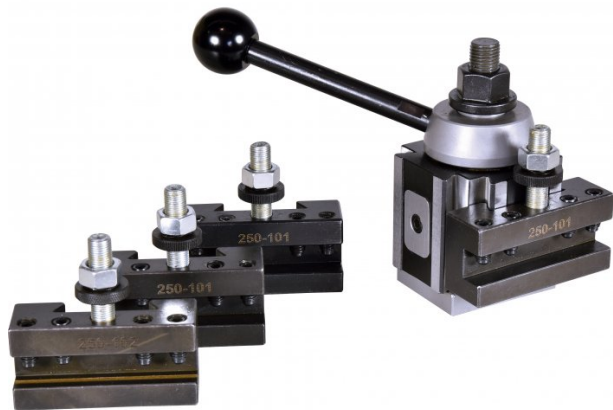


Product Brochure For L291

Quick Change Toolpost - QA-120

125mm Centre Height



Ex GST
\$196.00

Inc GST
\$225.40

| | |
|---------------------------|-----------|
| ORDER CODE: | L291 |
| MODEL: | QA-120 |
| Lathe Centre Height (mm): | 115 - 125 |
| Lathe Swing (mm): | 230 - 250 |
| A (mm): | 19 |
| B (mm): | 11 |
| C (mm): | 52 |
| D (mm): | 63.5 |
| E (mm): | 36.512 |
| H (mm): | 23 |
| h (mm): | 57.15 |
| S (mm): | M14 x 1.5 |
| T (mm): | 12 |
| Y (mm): | 95.25 |
| Number of Sides (No.): | 2 |
| Number of Holders (No.): | 4 |
| Nett Weight (kg): | 3.6 |



Description

Manufactured from carbonised and hardened steel.

Features

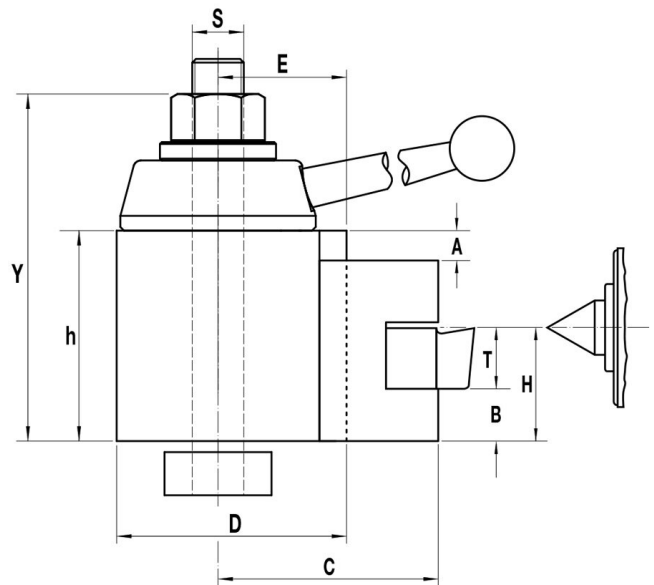
- All bearing surfaces are precision ground to ensure rigidity
- Handy lathe accessory for tool rooms and general engineering shops
- Ease of operation cuts set-up time by 90%
- No shims are required to adjust tools to correct centre height
- Easily fitted to most centre lathes
- Please Note: Some machining required to suit your lathe

Includes

- 1 x "V" holder for boring bar 250-102
- 3 x square toolholders 250-101

Optional Accessories

- Holders - L291A, L291B, L291C



Product Brochure For L291

Specific Features



Holder Profile



Toolpost

Recommended Accessories

L291B

Quick Change Toolpost Holder - Parting



L291C

Quick Change Toolpost Holder - Knurling



L149

Bench Lathe



L689

Opti-Turn Bench Lathe



L0085

Carbide Turning Tool Set - 11 piece



L072

HSS Turning Tool Set - 4 piece



L0055

Lathe Turning Tool Kit - 5 piece Insert Type



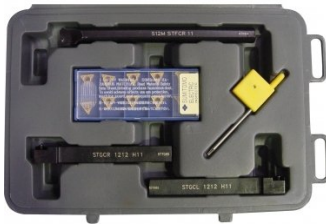
L0099

Lathe Turning Tool Kit - 7 piece Insert Type



Product Brochure For L291

L450
Lathe Turning Tool Kit - 3 piece
Insert Type



L456
Lathe Threading Tool Kit - Insert
Type



L015
Right Hand Turning Tool Holder



L016
Left Hand Turning Tool Holder



L031
External Threading



L006A
Boring Bar Set - HSS



L431
Boring Bar Set - Carbide Insert



L020
Right Hand Boring Bar



L0201
Right Hand Boring Bar



L021
Right Hand Boring Bar



L0100
Parting Kit 12mm



L464
Professional Lathe Parting Tool
Kit - Insert Type

