

Product Brochure For L0921

Belt & Disc Linishing Attachment - HLA-1220

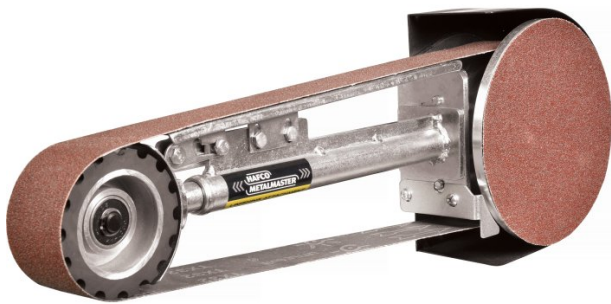
Suits most 200mm Bench Grinders

50 x 1220mm Linishing Belt & 178mm Sanding Disc

Ex GST
\$220.00

Inc GST
\$253.00

ORDER CODE:	L0921
MODEL:	-
Type:	-
Table Size (mm):	-
Belt Size (mm):	50 x 1220
Disc Diameter (mm / Inch):	178
Suits:	200mm Grinders



Description

This linishing attachment is perfect for a variety of finishing tasks, including tool sharpening, edge sanding, weld smoothing, deburring, and polishing. Suitable for use on materials such as wood, plastics, metals, and ceramics, this attachment is designed to fit most 200mm bench grinders with screw-mounted guards.

Features

- 50 x 1220mm linishing attachment with Ø178mm sanding disc
- Suits most 200mm Bench grinders (min 3/4 HP)
- Quick & easy adjustable belt tracking system
- Toolless belt change system, change belts in a matter of seconds
- Grind, sand, shape, polish or refinish nearly any material
- Used on many materials such as wood, plastics, metals and ceramics

Includes

- 50 x 1220mm linishing belt
- Ø178mm sanding disc

Product Brochure For L0921

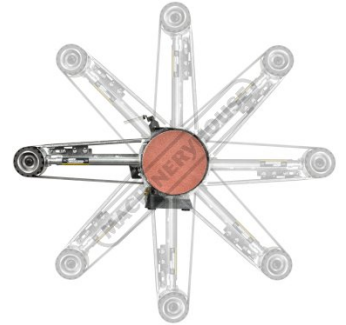
Specific Features



Fitted To Optional Bench Grinder G142 Adjustable Belt Tensioner



Large Work Surface-Quick Action Belt Change 360 Degree Head Rotation



Recommended Accessories

G142
Industrial Bench Grinder

A8030
40G Aluminium Oxide Linishing
Belt Pack

A8031
60G Aluminium Oxide Linishing
Belt Pack

A8032
80G Aluminium Oxide Linishing
Belt Pack



A8033
100G Aluminium Oxide Linishing
Belt Pack

A8034
120G Aluminium Oxide Linishing
Belt Pack

A8037
40G Zirconia Linishing Belt Pack

A8038
60G Zirconia Linishing Belt Pack



Product Brochure For L0921

A8039
80G Zirconia Linishing Belt Pack



A8040
100G Zirconia Linishing Belt Pack



A8041
120G Zirconia Linishing Belt Pack



A48200
Scotch Belt Linishing Belt - Coarse Brown



A48201
Scotch Belt Linishing Belt - Medium Red



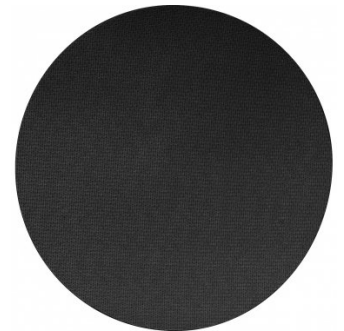
A48202
Scotch Belt Linishing Belt - Fine Blue



A48203
Scotch Belt Linishing Belt - Super Fine Grey



A0700
178mm (7") Hook & Loop Backing Disc



A5332
60G x 178mm (7") Aluminium Oxide Sanding Disc Pack



A5333
80G x 178mm (7") Aluminium Oxide Sanding Disc Pack



A5334
100G x 178mm (7") Aluminium Oxide Sanding Disc Pack



A5335
120G x 178mm (7") Aluminium Oxide Sanding Disc Pack



Product Brochure For L0921

L086
Multitool Tilting Table & Mitre Guide



L083
Multitool Chisel Sharpening Jig



G183
Abrasive Belt & Disc Cleaning Stick



L085A
Multitool Contact Wheel

