

Product Brochure For L049

## Left Hand Turning Tool Holder - WTJNL-2525-M16

25mm Tool Height

Insert tip not included

Ex GST  
\$130.00

Inc GST  
\$149.50



ORDER CODE:	L049
Part Number - Style:	WTJN
Tool Height Size (mm):	25
Clamping Method of Insert:	~
Category:	~
Connection style:	~
Back End Size:	~
Application:	~
Hand Type:	Left
Holder Style:	~
Clearance Angle:	~
Insert Type:	TNMG16
A (H) (mm):	25
B (mm):	25
C (LF) (mm):	150
LH (mm):	~
F (WF) (mm):	25
E (mm):	32



### Description

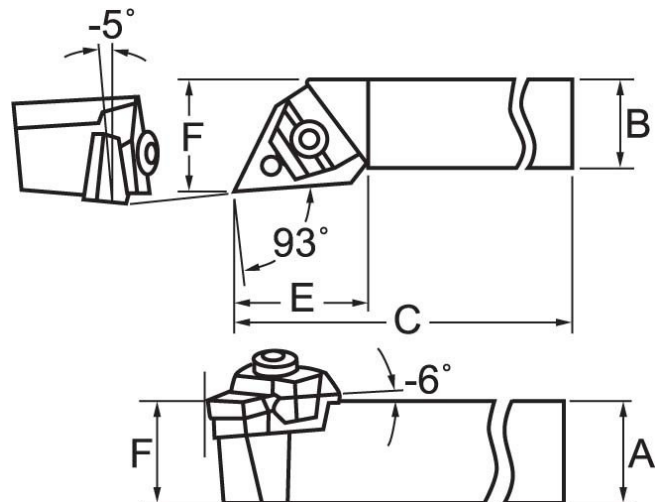
Quality Tipped Tool Holders ISO Standard to suit Tungsten Carbide Indexable Insert Tips.

NOTE: Inserts not included with tool holders

Use insert TNMG 160408 (L064)

### Features

- Negative rake turning tool holder with 93° approach angle
- Suitable for rapid metal removal
- Left hand tool holder suitable for facing operations



## Product Brochure For L049

### SETTING THE SPINDLE SPEED

To calculate the correct speed the following metric formula can be used

$$\text{RPM} = \frac{1000 \times \text{Surface speed in Metres per Minute}}{3.14 \times \text{Diameter in millimetres}}$$

Material	Approximate surface speeds for carbide tools	
	Roughing	Finishing
Mild Steel	50	80
Cast Iron	40	60
Aluminium	80	100
Stainless Steel	40	50

#### Example 1.

20mm Mild Steel bar to be rough machined

$$\text{RPM} = \frac{1000 \times 50}{3.14 \times 20\text{mm}} = \frac{50000}{62.8} = 796\text{rpm}$$

#### Example 2.

20mm Mild Steel bar to be finished machined

$$\text{RPM} = \frac{1000 \times 80}{3.14 \times 20\text{mm}} = \frac{80000}{62.8} = 1273\text{rpm}$$

- Set the spindle speed to the closest speed to the RPM calculated
- If in doubt then set a speed slower than the calculated speed

### SETTING THE TOOL ON CENTRE

For the tool to cut correctly it needs to be set on centre. This can be best achieved by placing a centre in the tailstock and packing the tool until the tool is on centre.

Correct centre height



Incorrect centre height



## Specific Features



Side View



Top View

Product Brochure For L049

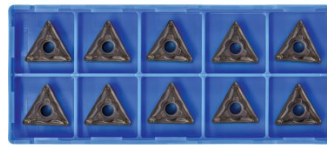
**Recommended Accessories**

L0644  
KYOCERA Carbide Inserts -  
Turning

L064  
KYOCERA Carbide Inserts -  
Turning

L0648  
KYOCERA Carbide Inserts -  
Turning

L527  
Seat to Suit Turning Tool  
Holders



L528  
Screw Pin to Suit Turning Tool  
Holders

L529  
Clamp to Suit Turning Tool  
Holders

L530  
Clamp Screw to Suit Turning  
Tool Holders

L450  
Lathe Turning Tool Kit - 3 piece  
Insert Type



Product Brochure For L049

**L451**  
Lathe Turning Tool Kit - 3 piece  
Insert Type



**L452**  
Lathe Turning Tool Kit - 3 piece  
Insert Type



**L453**  
Lathe Turning Tool Kit - 3 piece  
Insert Type



**L072**  
HSS Turning Tool Set - 4 piece



**L0085**  
Carbide Turning Tool Set - 11  
piece



**L0055**  
Lathe Turning Tool Kit - 5 piece  
Insert Type



**L0099**  
Lathe Turning Tool Kit - 7 piece  
Insert Type



**L0077**  
Lathe Turning Tool Kit - 7 piece  
Insert Type



**L456**  
Lathe Threading Tool Kit - Insert  
Type



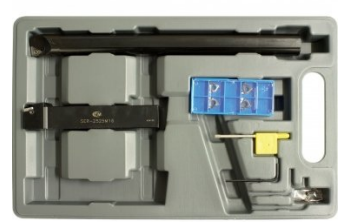
**L457**  
Lathe Threading Tool Kit - Insert  
Type



**L458**  
Lathe Threading Tool Kit - Insert  
Type



**L459**  
Lathe Threading Tool Kit - Insert  
Type



Product Brochure For L049

L464

Professional Lathe Parting Tool Kit - Insert Type



L465

Professional Lathe Parting Tool Kit - Insert Type



L466

Professional Lathe Parting Tool Kit - Insert Type



L467

Professional Lathe Parting Tool Kit - Insert Type



L006A

Boring Bar Set - HSS



L431

Boring Bar Set - Carbide Insert



L430

Boring Bar Set - Carbide Insert

