

Product Brochure For K4028

Workshop Hydraulic Press & Bush Driver Set - HP-20PP

20 Tonne

Bending Vee Plates & PDS-2B - Bush Driver Set - 17 piece



METALMASTER



Package Deal

Ex GST	Inc GST
\$660.00	\$759.00

Package Contents - SAVE \$36.80 (Inc)

1 x P030 - Bush Driver Set - 17 piece PDS-2B	\$64.40
1 x P142 - Workshop Hydraulic Press - 20 Tonne HP-20PP	\$731.40
Normal Price (Inc):	\$795.80

ORDER CODE:	K4028
MODEL:	HP-20PP & PDS-2B
Pressing Capacity (Tonne):	20
Hydraulic Ram Operation (Type):	Manual Hand Lever
Sliding Ram (left-right) (Yes / No):	Yes
Width Between Front Posts (mm):	542
Width Between Side Posts (mm):	85
Table Top Opening - (Front to Back) (mm):	105
Ram To Table (Max.) (mm):	980
Cylinder Stroke (mm):	185
Ram Diameter (mm):	Ø48
Piston Diameter (mm):	Ø60
Minimum Air Flow Rate required (L/Min):	~
Motor Power (kW / hp):	~
Voltage (V):	~
Floor Space (W x D x H) (mm):	1100 x 800 x 1780
Nett Weight (kg):	117.5

Description

HP-20PP - Workshop Hydraulic Press - 20 Tonne

The Metalmaster HP-20PP 20 tonne workshop press has a variety of uses, ideal for removing and installing bushes, ball joints, bearings, gears, pulleys etc. The HP-20PP also has the added feature of a sliding head which can be moved to the side allowing for those offset pressing jobs.

The 20 tonne hydraulic ram and pump unit are also easily removed for use on other pressing jobs outside your workshop such as straightening or bending. The press is supplied with a pressure gauge, two heavy duty pressing plates and is constructed from industrial grade C channel making it ideal for mechanics or the serious home workshop.

PDS-2B - Bush Driver Set

Enables you to remove and install bushings ranging from 10 - 42mm in diameter on cars, trucks, tractors, construction equipment, electric motors and many other components having bushings.

The aluminium construction won't wear the bushing or effect bushing tolerance, which is critical for efficient operation of the engine, transmission and hubs.

Features

- HP-20PP - Workshop Hydraulic Press - 20 Tonne
- Ideal for removing and installing - Bushing, Ball-joints, Bearings, Gears, Pulleys, etc
- Heavy duty construction with head, table and uprights all made from heavy C channel steel
- Hydraulics assembled in a temperature controlled clean room for maximum quality
- Hydraulics individually factory tested prior to shipping.
- Adjustable sliding head up to 395mm travel between the vertical post
- 20 tonne hydraulic ram and hand pump, easily removed for use on other pressing jobs
- Metric / imperial pressure gauge included
- PDS-2B - Bush Driver Set
- Includes 14 discs to fit common bush sizes
- Manufactured from aluminium

Includes

- HP-20PP - Workshop Hydraulic Press - 20 Tonne
- Includes Adjustable Sliding Cylinder Ram, Pressure Gauge & Bending Vee Plates

Product Brochure For K4028

- PDS-2B - Bush Driver Set
- Disc sizes: Ø10-Ø12, Ø12-Ø14, Ø14-Ø16, Ø15-Ø17, Ø16-Ø18, Ø18-Ø20, Ø20-Ø22, Ø22-Ø24, Ø25-Ø27, Ø28-Ø30, Ø30-Ø34, Ø32-Ø36, Ø35-Ø40, Ø38-Ø42mm
- 1 x 115mm drive extension handle
- 1 x 140mm drive extension handle
- 1 x 160mm drive extension handle

Specific Features



PDS-2B - Bush Driver Set - 17 piece



Solid Side Channel Frame



Solid Channel Frame



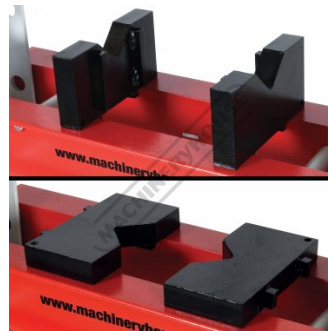
High Quality Hydraulics



Metric / Imperial Pressure Gauge



Table Pins With Safety Clips



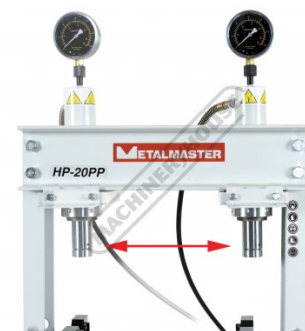
Dual Purpose Pressing Blocks



Sliding Ram With Handle



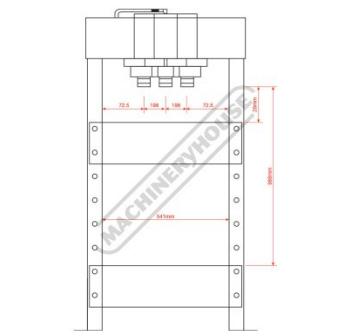
Includes Removable Ram Top Cap



Horizontal Sliding Ram



Left View



Dimensions

Product Brochure For K4028

Recommended Accessories

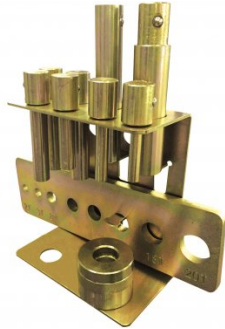
P031

Bearing Race & Seal Driver Set
- 10 piece



P1401

Steel Press Pin Driver Set - 11
piece



P450

Pressbrake Attachment - Suits
Hydraulic Presses

