

Product Brochure For H9011

Folding Handwheel - ABS

Ø100mm

Steel centre supplied standard with 8mm bore

Ex GST
\$38.00

Inc GST
\$43.70



| | |
|----------------------|---------|
| ORDER CODE: | H9011 |
| Brand: | H9011 |
| Wheel Diameter (mm): | HAFCO |
| Handle Type: | 100 |
| Handle Size (mm): | Folding |
| Screw Length (mm): | 50 |
| Outside Thread: | ~ |
| Internal Thread: | ~ |
| Pack QTY: | ~ |



Description

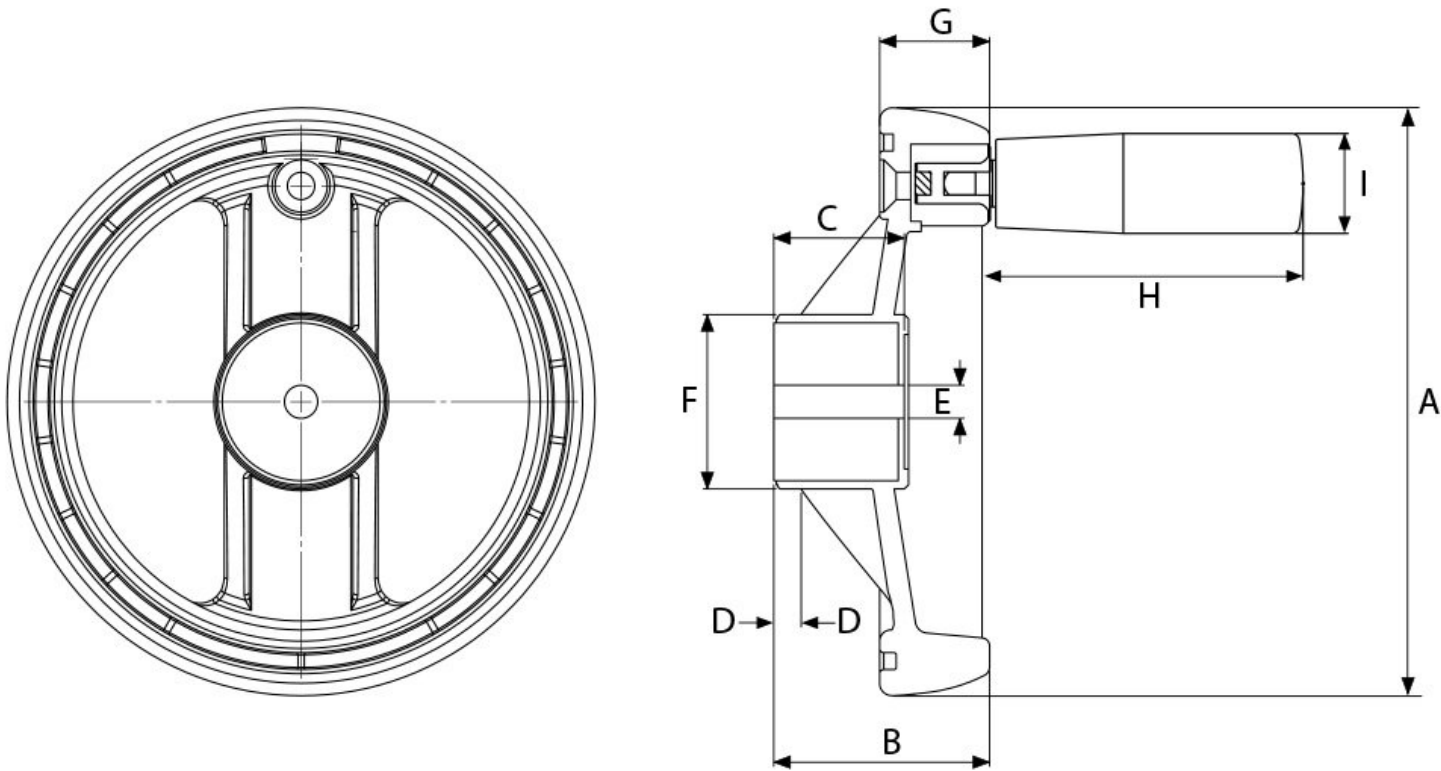
Ø100mm ABS handwheel with steel centre
50mm folding type phenolic handle
Black coloured finish
Threaded grub screw to secure handwheel

Features

- Foldable Handle
- Threaded grub screw
- Steel centre supplied standard with 8mm bore that requires machining to suit your application.

Product Brochure For H9011

Hand Wheel - Folding Handle



All measurements in mm & Kgs

| Order Code | Model No. | A | B | C | D | E | F | G | H | I | Weight |
|------------|-----------|-----|----|------|---|---|----|------|----|----|--------|
| H9010 | PHW-80F | 80 | 40 | 24.5 | 3 | 6 | 30 | 19.5 | 57 | 19 | 0.19 |
| H9011 | PHW-100F | 100 | 40 | 24.5 | 3 | 8 | 36 | 21.5 | 67 | 21 | 0.28 |
| H9012 | PHW-125F | 125 | 47 | 26.5 | 3 | 8 | 39 | 25.5 | 86 | 23 | 0.42 |

Product Brochure For H9011

Specific Features



Handle Folde Flat



Side View



Rear View



Bottom View



Grub Screw Attachment