

Product Brochure For H356

## 19mm 4.7T Grade S - Lifting Bow Shackle - GSSB19

Galvanised Finish With Yellow Pin

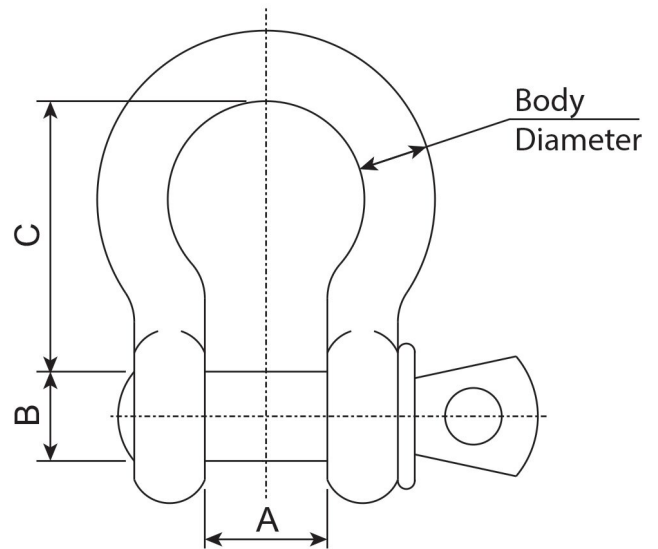
"Grade S" - Compliant & Meets The Requirement of AS2741

Ex GST  
\$18.00

Inc GST  
\$20.70



Order Code:	H356
Model:	GSSB19
W.L.L - Working Load Limit (Tonne):	4.7
Body Diameter (mm):	19
A - Throat Opening (mm):	32
B - Pin Diameter (mm):	22
C - Throat Depth (mm):	61



### Description

- The most common shackles used in lifting applications, with a high strength to size ratio
- Easy and effective way of providing a connection of slings, chains and wire ropes
- Supplied in a galvanised finish with yellow painted pin
- Suitable applications: Marine, agricultural, towing, & general industrial
- Compliant & meets the requirement of AS 2741

### Features

- 4.7 Tonne working load limit
- 19mm Body Diameter
- 61mm Throat depth
- 32mm Throat opening
- 22mm Pin diameter