

Product Brochure For H352

13mm 2T Grade S - Lifting Bow Shackle - GSSB13

Galvanised Finish With Yellow Pin

"Grade S" - Compliant & Meets The Requirement of AS2741

Ex GST

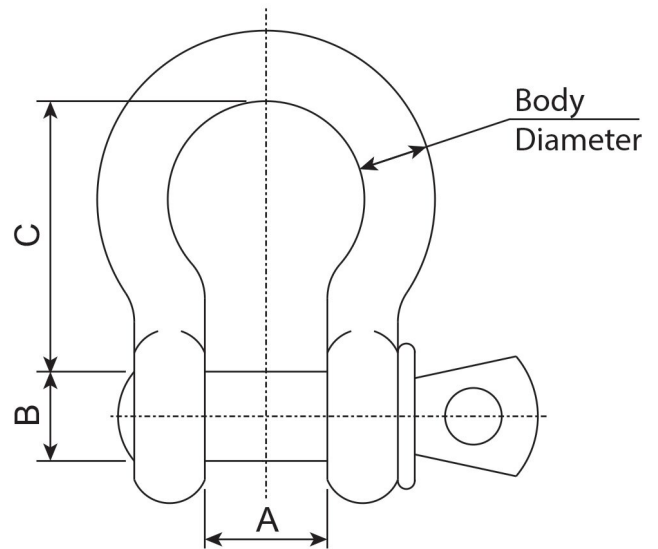
\$8.00

Inc GST

\$9.20



Order Code:	H352
Model:	GSSB13
W.L.L - Working Load Limit (Tonne):	2
Body Diameter (mm):	13
A - Throat Opening (mm):	21
B - Pin Diameter (mm):	16
C - Throat Depth (mm):	42



Description

- The most common shackles used in lifting applications, with a high strength to size ratio
- Easy and effective way of providing a connection of slings, chains and wire ropes
- Supplied in a galvanised finish with yellow painted pin
- Suitable applications: Marine, agricultural, towing, & general industrial
- Compliant & meets the requirement of AS 2741

Features

- 2 Tonne working load limit
- 13mm Body Diameter
- 42mm Throat depth
- 21mm Throat opening
- 16mm Pin diameter