

Product Brochure For H251

## Electric Chain Hoist - TECH0106

1 Tonne x 6 Metre Lift  
Two Speed: 6m/min. Lift Speed



**Back In Stock Soon**

<b>Ex GST</b>	<b>Inc GST</b>
<b>\$3,000.00</b>	<b>\$3,450.00</b>

ORDER CODE:	H251
MODEL:	TECH0106
Capacity (Tonne):	1
Lift Height (Metre):	6
Lift Speed (m/min):	6
Motor Power (W):	1200
Voltage (V):	240



### Description

Thermal Prevention Device Fitted

### Features

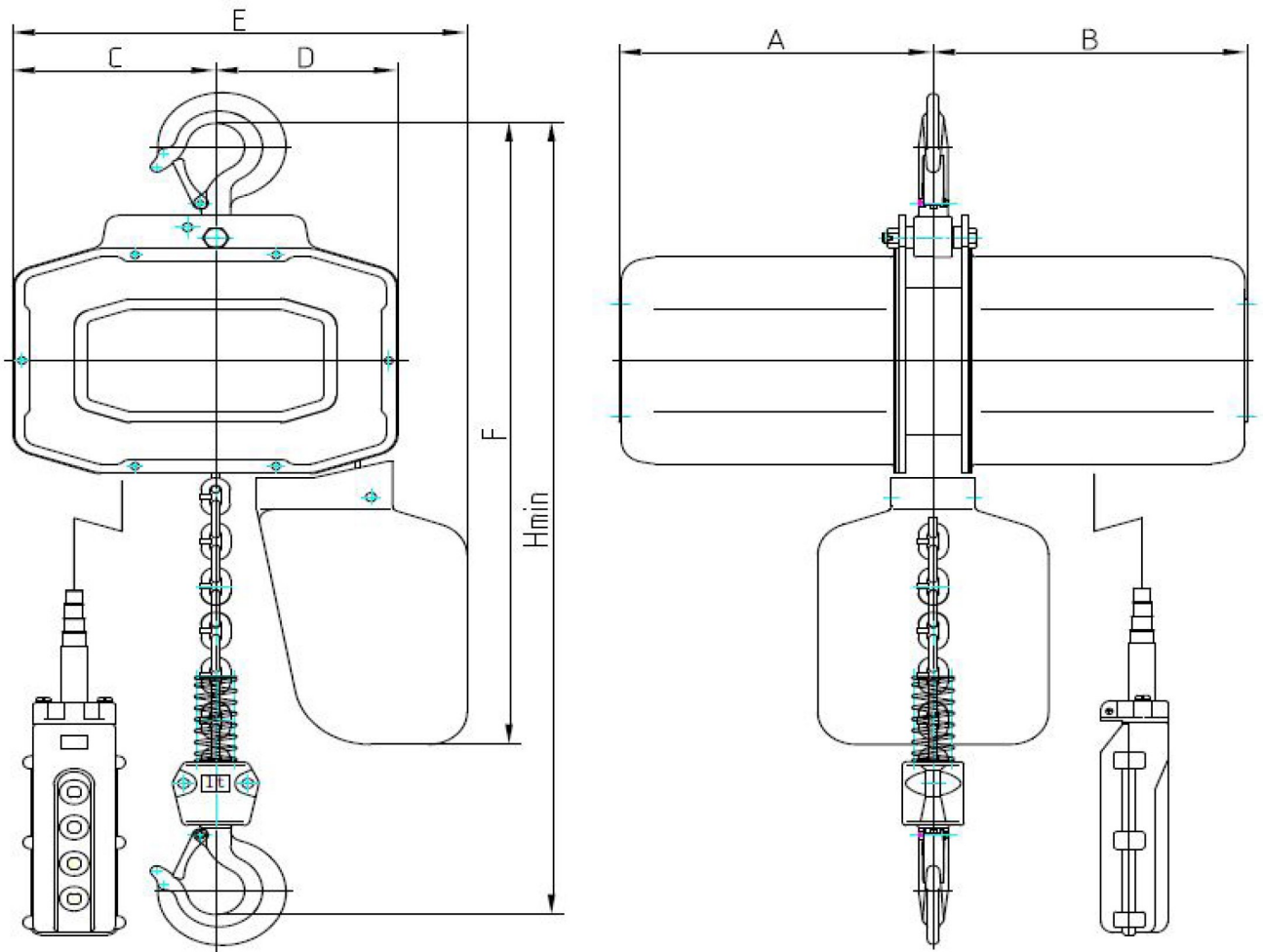
- Light weight, compact design with high efficiency motor
- Pressed steel structure, high strength body
- High tensile alloy steel top & bottom hooks
- Grade 80 - 7.1mm Alloy Steel load chain
- Limit switches fitted at top and bottom ends to prevent chain run-out
- 240V , 50Hz Dual speed Motor 1200 Watts

### Optional Accessories

- Available with customisable chain lengths and an optional wireless remote for added convenience (additional costs may apply)

Product Brochure For H251

## Main Dimension of TECH Series Electric Chain Hoist



Model	TECH0103 / TECH0106	TECH0203 / TECH0206
A	245	245
B	245	245
C	158	124
D	142	176
E	350	350
F	600	610
H	520	630

Product Brochure For H251

**Recommended Accessories**

C147  
Girder Trolley



C146  
Girder Clamp



H352  
13mm 2T Grade S - Lifting Bow Shackle



H350  
11mm 1.5T Grade S - Lifting Bow Shackle



H308  
Round Slings



H307  
Round Slings



H320  
Flat Slings



H322  
Flat Slings



Product Brochure For H251

---

H312  
Round Sling



C188  
Mobile Girder Rail Gantry



C191  
Digital Crane Scale

