

Product Brochure For G614

Lathe Safety Chuck Guard - LG-10

255mm Centre Height

Ex GST
\$330.00

Inc GST
\$379.50



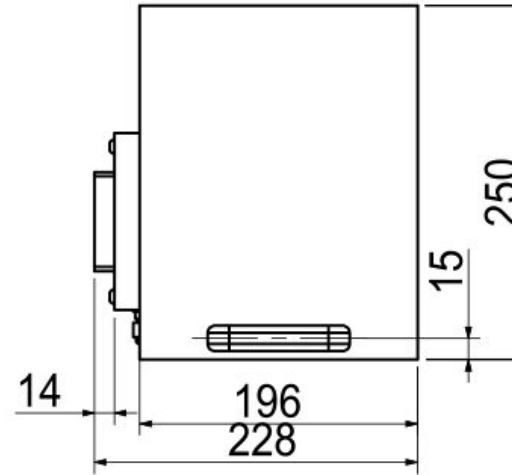
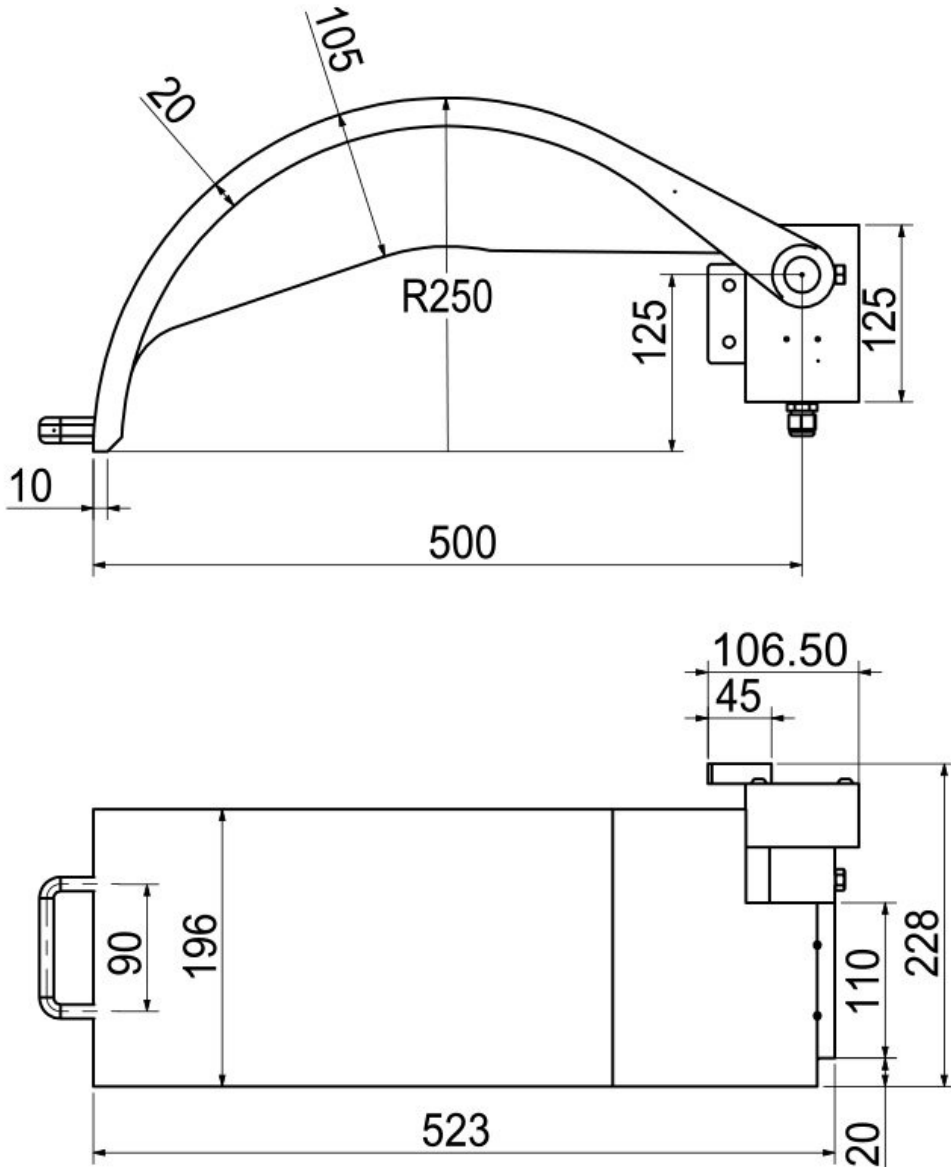
ORDER CODE:	G614
MODEL:	LG-10
Guard Type:	Safety Chuck Guard
Material Type:	Steel
Leadscrew Cover Width (mm):	~
Suits Lathe - Distance Between Centres (mm):	~
Suits Lathe Centre Height (mm):	255
Suits Lathe Chuck Size Max. (mm):	Ø350



Features

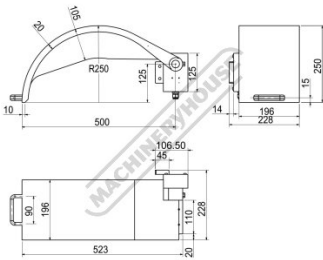
- Retro fits to lathe headstock with a 255mm centre height
- Suits up to Ø350mm lathe chucks
- Swivel steel safety chuck guard with handle
- Includes safety chuck guard, mounting bracket with micro switch and wiring
- Micro switch recommended for 12V or 24V
- Installation required by a licensed electrician

Product Brochure For G614



Product Brochure For G614

Specific Features



Dimensions