

Product Brochure For G610

## Lathe Safety Chuck Guard - LG-7

178mm Centre Height



**On Sale**

Ex GST	Inc GST
<del>\$220.00</del>	<del>\$253.00</del>
<b>\$175.65</b>	<b>\$202.00</b>

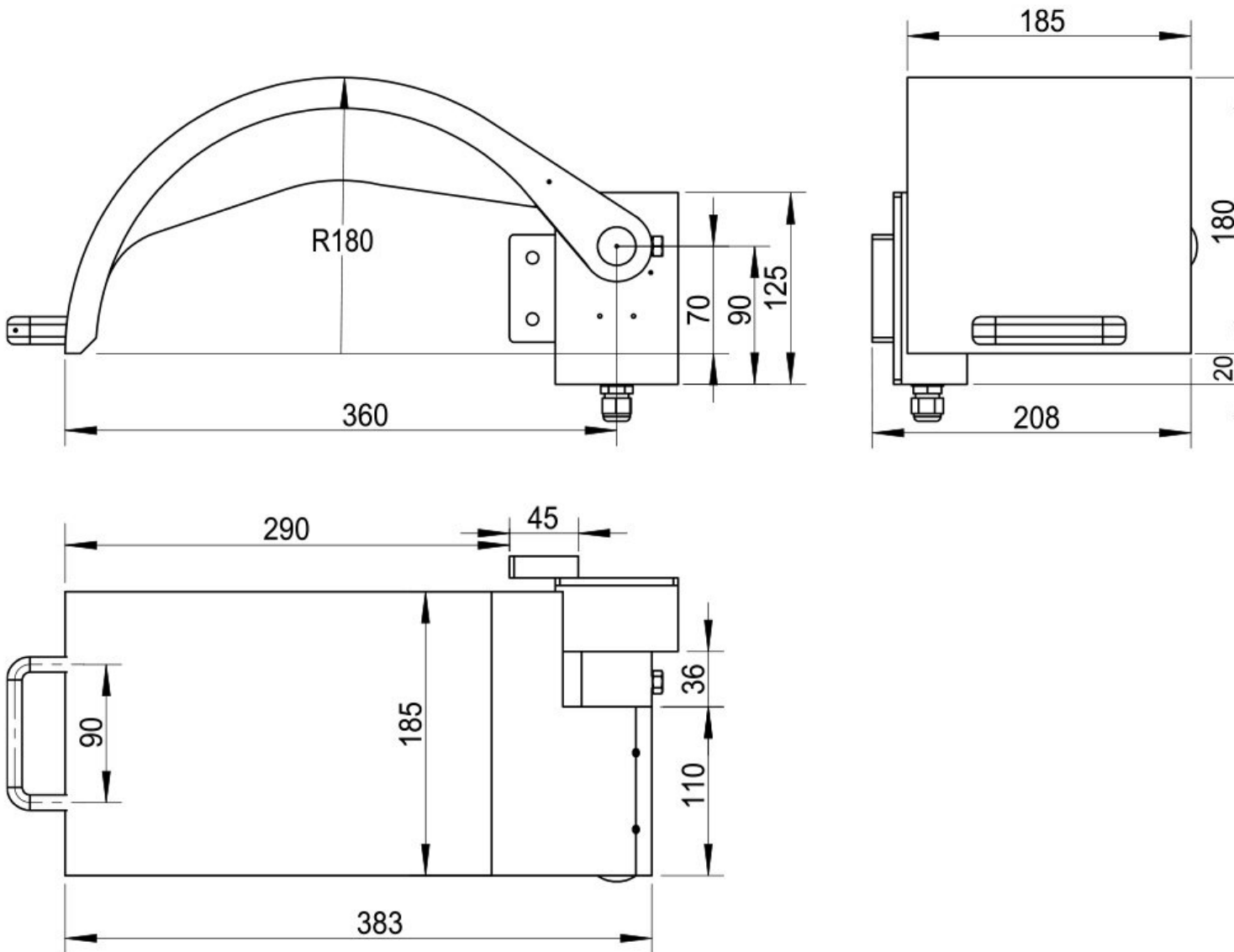
ORDER CODE:	G610
MODEL:	LG-7
Guard Type:	Safety Chuck Guard
Material Type:	Steel
Leadscrew Cover Width (mm):	~
Suits Lathe - Distance Between Centres (mm):	~
Suits Lathe Centre Height (mm):	178
Suits Lathe Chuck Size Max. (mm):	Ø200



### Features

- Retro fits to lathe headstock with a 178mm centre height
- Suits up to Ø200mm lathe chucks
- Swivel steel safety chuck guard with handle
- Includes safety chuck guard, mounting bracket with micro switch and wiring
- Micro switch recommended for 12V or 24V
- Installation required by a licensed electrician

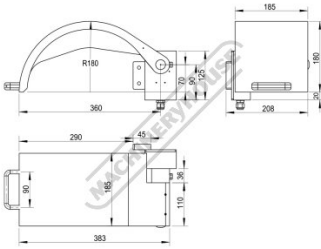
Product Brochure For G610



## Product Brochure For G610

---

### Specific Features



### Dimensions