

Product Brochure For E084

2.5HP Electric Motor - EM25-28

2800rpm, Ø19mm Shaft



On Sale

| Ex GST | Inc GST |
|---------------------|---------------------|
| \$366.00 | \$420.90 |
| \$286.96 | \$330.00 |

| | |
|--------------------------------|----------------------|
| ORDER CODE: | E084 |
| MODEL: | EM25-28 |
| Motor Power (kW / hp): | 1.875 / 2.5 |
| Speed (rpm): | 2800 |
| Shaft Diameter (mm): | Ø19 |
| Reversible Motor (Yes / No): | Yes |
| Fan Cooled (Yes / No): | Yes |
| Voltage (V): | 240 |
| Amps Required: | 15 |
| Input Power Supply Connection: | Includes Plug & Lead |



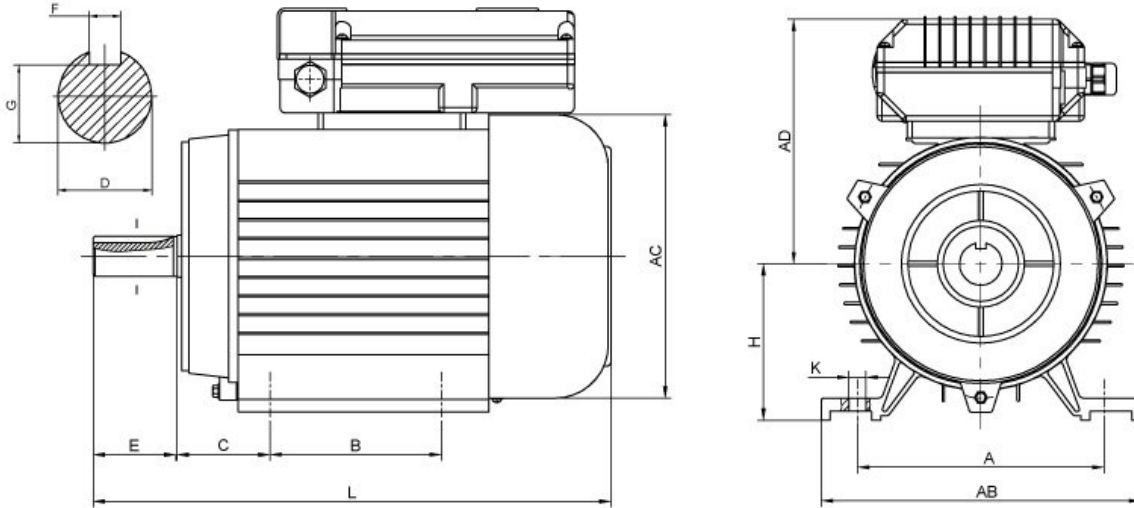
Description

Suited for most general applications.

Features

- 240V motor
- TEFC - (Totally enclosed fan cooled)
- Reversible motor shaft direction
- Thermal overload with manual reset
- Foot mounted

Product Brochure For E084



| Model | Mounting Dimensions (mm) | | | | | | | | | | Overall Dimensions (mm) | | | |
|----------------|--------------------------|-----|----|------|----|-----|----|----|----|-----|-------------------------|-----|-----|--|
| | A | B | C | D | E | F | G | H | K | AB | AC | AD | L | |
| EM1-14 | 125 | 100 | 50 | 15.9 | 40 | 4.8 | 13 | 80 | 10 | 155 | 156 | 160 | 295 | |
| EM25-28 | 140 | 100 | 56 | 19 | 50 | 6 | 16 | 90 | 10 | 168 | 174 | 155 | 320 | |
| EM2-14 | 140 | 125 | 56 | 19 | 50 | 6 | 16 | 90 | 10 | 168 | 174 | 155 | 345 | |
| EM3-28 | 140 | 125 | 56 | 19 | 50 | 6 | 16 | 90 | 10 | 168 | 174 | 155 | 345 | |

Specific Features



Shown with Lead

| SINGLE PHASE INDUCTION MOTOR | | | | CE |
|------------------------------|-----------------------|------------|-------|----|
| FRAME | MEC90 | POWER | 2.5HP | |
| VOLTS | 240V/50HZ | AMPS | 11 | |
| R.P.M. | 2800 | INS.CLS. | B | |
| RATING COMP. | 30uF/450V | 100uF/350V | | |
| IP54 | MANUAL RESET OVERLOAD | | | |
| DATE | 2011-08 | | | |

Specifications