

Product Brochure For D824

Boring Sleeve - Straight - CHR 25-32

Suits CNC Lathes
Ø32mm x Ø25mm



On Sale - Back In Stock Soon

Ex GST

~~\$86.00~~

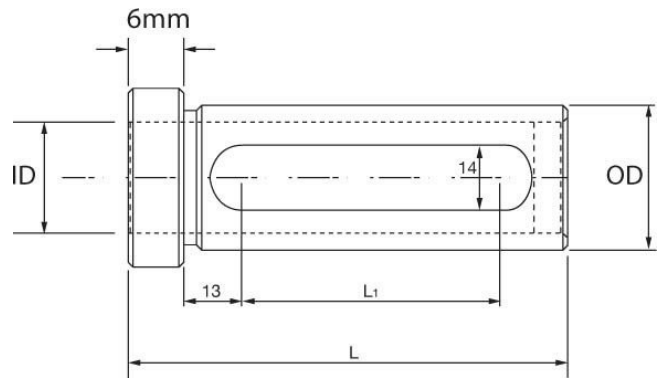
\$68.70

Inc GST

~~\$98.90~~

\$79.00

ORDER CODE:	D824
MODEL:	CHR 25-32
Type:	Slot
OD (mm):	32
ID (mm):	25mm
L (mm):	86
L1 (mm):	56



Description

Used in the turrets of CNC lathes to hold boring bars and other cutting tools.
Universal design allows these sleeves to be fitted to all CNC machines with turrets

Features

- Precision ground
- Slotted so that the turret clamp screws can clamp directly onto the boring bar or cutter

Product Brochure For D824

Recommended Accessories

L024

Right Hand Boring Bar

L416

Right Hand Boring Bar

