

## Product Brochure For D734

# 900mm Easson Digital Readout Scale

VS10 Standard Scale  
5µm Resolution



**Ex GST**  
**\$306.00**

**Inc GST**  
**\$351.90**

ORDER CODE:	D734
MODEL:	~
Type:	VS10 Standard Scale
Travel - Maximum (mm):	900
Overall Length (L) (mm):	1046
Scale Resolution (µm):	5
Grating Pitch:	~
Accuracy (µm):	±10
Output Signal:	~
Connector:	~
Cable Length (Metre):	3
Working Temperature (°C):	~
Sealing Protection Class:	~
Maximum Speed (M/min):	~
Reference Point:	~
Width x Height (W x H) (mm):	27.5 x 33.5
Backing Support Plate (Yes / No):	No

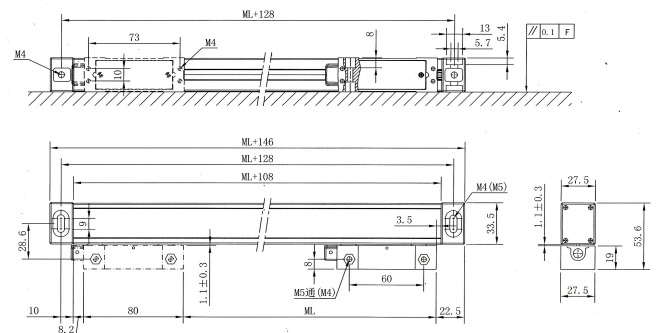


## Description

Easson VS series Glass Grating Linear Transducer: EASSON - Always committed to Quality, Technology & Innovation

## Features

- **DOUBLE SEAL DESIGNED SCALES:**
- The plastic seals of the transducer use an innovative material to offer superior oil resistance, high elastic recovery properties and durability, carefully designed lip geometry offer low slide resistance.
- **100% LASER CALIBRATION:**
- All glass grating transducers are individually inspected and calibrated by our in-house laser calibrator to ensure accuracy complies 100% with the specifications.
- **ADVANCED OPTICAL MEASURING SYSTEM:**
- The slide carrier of the VS series scales, use a five bearing design for optical grating linear transducer which has been proven as the most reliable system design in today's market.
- The glass grating slide-ways are lapped, and JIS standard P5 grade bearings are used to achieve smooth and accurate movement and long working life.
- **D.I.Y. INSTALLATION:**
- An easy-to-follow D.I.Y. Installation Manual is supplied with each system, complete with illustrations and mounting brackets.



Product Brochure For D734

MODEL	VS 10	
<b>Measuring Standard</b>	Glass scale - Grating	
<b>Optical Detecting System</b>	Transmissive Infrared	
<b>Slide Carrier System</b>	Vertical five bearing supporting system	45° support
<b>Resolution</b>	5µm	
<b>Measurement Travel (100-1200mm)</b>	Every 50mm per length specification	
<b>Measurement Travel (1300-3000mm)</b>	-	Every length
<b>Accuracy (100-450mm)</b> <b>Accuracy (500-1000mm)</b> <b>Accuracy (1050-1250mm)</b> <b>Accuracy (1300-3000mm)</b>	±3 - ±5µm ±10µm ±10µm -	
<b>Repeatability</b>	2µm	
<b>Hysteresis</b>	3µm	
<b>Protection</b>	DIN	
<b>Power Supply</b>	DC	
<b>Output Signals</b>		

Product Brochure For D734

**Specific Features**



DSub9 Male Plug

**Dsub 9**  
9 pin male connector plug

Pin	TL	422A
Signal	Cable	Signal
1	—	A Yellow
2	0V	0V White
3	—	B Red
4	—	—
5	—	R Black
6	A	A Green
7	5V	5V Brown
8	B	B Blue
9	R	R Gray

Dsub9 Wiring Diagram



DIY Installation



Parts



Close Up

**Recommended Accessories**

**D709**  
Easson Scales - Extension Cable



**D710**  
Easson Scales - Extension Cable



**D772**  
Digital Readout Scale Mounting Bracket Kit



**D711**  
Adaptor Cable



## Product Brochure For D734

---

D712  
Adaptor Cable

