

Product Brochure For D730

700mm Easson Digital Readout Scale

VS10 Standard Scale
5µm Resolution

Ex GST
\$282.00

Inc GST
\$324.30



| | |
|-----------------------------------|---------------------|
| ORDER CODE: | D730 |
| MODEL: | ~ |
| Type: | VS10 Standard Scale |
| Travel - Maximum (mm): | 700 |
| Overall Length (L) (mm): | 846 |
| Scale Resolution (µm): | 5 |
| Grating Pitch: | ~ |
| Accuracy (µm): | ±10 |
| Output Signal: | ~ |
| Connector: | ~ |
| Cable Length (Metre): | 3 |
| Working Temperature (°C): | ~ |
| Sealing Protection Class: | ~ |
| Maximum Speed (M/min): | ~ |
| Reference Point: | ~ |
| Width x Height (W x H) (mm): | 27.5 x 33.5 |
| Backing Support Plate (Yes / No): | No |

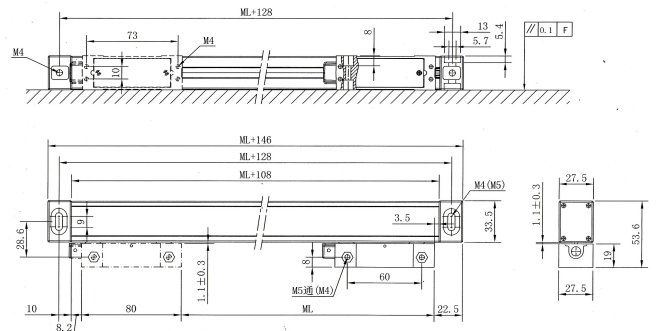


Description

Easson VS series Glass Grating Linear Transducer: EASSON - Always committed to Quality, Technology & Innovation

Features

- **DOUBLE SEAL DESIGNED SCALES:**
- The plastic seals of the transducer use an innovative material to offer superior oil resistance, high elastic recovery properties and durability, carefully designed lip geometry offer low slide resistance.
- **100% LASER CALIBRATION:**
- All glass grating transducers are individually inspected and calibrated by our in-house laser calibrator to ensure accuracy complies 100% with the specifications.
- **ADVANCED OPTICAL MEASURING SYSTEM:**
- The slide carrier of the VS series scales, use a five bearing design for optical grating linear transducer which has been proven as the most reliable system design in today's market.
- The glass grating slide-ways are lapped, and JIS standard P5 grade bearings are used to achieve smooth and accurate movement and long working life.
- **D.I.Y. INSTALLATION:**
- An easy-to-follow D.I.Y. Installation Manual is supplied with each system, complete with illustrations and mounting brackets.



Product Brochure For D730

| MODEL | VS 10 | |
|---|---|--------------|
| Measuring Standard | Glass scale - Grating | |
| Optical Detecting System | Transmissive Infrared | |
| Slide Carrier System | Vertical five bearing supporting system | 45° support |
| Resolution | 5µm | |
| Measurement Travel (100-1200mm) | Every 50mm per length specification | |
| Measurement Travel (1300-3000mm) | - | Every length |
| Accuracy (100-450mm) Accuracy (500-1000mm) Accuracy (1050-1250mm) Accuracy (1300-3000mm) | ±3 - ±5µm ±10µm ±10µm - | |
| Repeatability | 2µm | |
| Hysteresis | 3µm | |
| Protection | DIN | |
| Power Supply | DC | |
| Output Signals | | |

Product Brochure For D730

Specific Features



DSub9 Male Plug

Dsub 9
9 pin male connector plug

| Pin | TL | 422A |
|--------|------------|------------|
| Signal | Cable | Signal |
| 1 | — | A Yellow |
| 2 | 0V Orange | 0V White |
| 3 | — | B Red |
| 4 | Gnd Ground | Gnd Ground |
| 5 | — | R Black |
| 6 | A Yellow | A Green |
| 7 | 5V Red | 5V Brown |
| 8 | B Green | B Blue |
| 9 | R Brown | R Gray |

Dsub9 Wiring Diagram



DIY Installation



Parts



Close Up

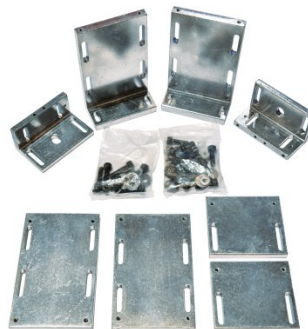
Recommended Accessories

D709
Easson Scales - Extension Cable

D710
Easson Scales - Extension Cable

D772
Digital Readout Scale Mounting Bracket Kit

D711
Adaptor Cable



Product Brochure For D730

D712
Adaptor Cable

