

Product Brochure For D728

600mm Easson Digital Readout Scale

VS10 Standard Scale
5µm Resolution

Ex GST
\$282.00

Inc GST
\$324.30



| | |
|-----------------------------------|---------------------|
| ORDER CODE: | D728 |
| MODEL: | ~ |
| Type: | VS10 Standard Scale |
| Travel - Maximum (mm): | 600 |
| Overall Length (L) (mm): | 746 |
| Scale Resolution (µm): | 5 |
| Grating Pitch: | ~ |
| Accuracy (µm): | ±10 |
| Output Signal: | ~ |
| Connector: | ~ |
| Cable Length (Metre): | 3 |
| Working Temperature (°C): | ~ |
| Sealing Protection Class: | ~ |
| Maximum Speed (M/min): | ~ |
| Reference Point: | ~ |
| Width x Height (W x H) (mm): | 27.5 x 33.5 |
| Backing Support Plate (Yes / No): | No |

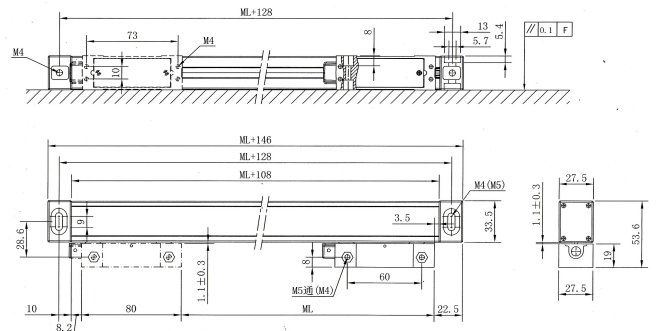


Description

Easson VS series Glass Grating Linear Transducer: EASSON - Always committed to Quality, Technology & Innovation

Features

- **DOUBLE SEAL DESIGNED SCALES:**
- The plastic seals of the transducer use an innovative material to offer superior oil resistance, high elastic recovery properties and durability, carefully designed lip geometry offer low slide resistance.
- **100% LASER CALIBRATION:**
- All glass grating transducers are individually inspected and calibrated by our in-house laser calibrator to ensure accuracy complies 100% with the specifications.
- **ADVANCED OPTICAL MEASURING SYSTEM:**
- The slide carrier of the VS series scales, use a five bearing design for optical grating linear transducer which has been proven as the most reliable system design in today's market.
- The glass grating slide-ways are lapped, and JIS standard P5 grade bearings are used to achieve smooth and accurate movement and long working life.
- **D.I.Y. INSTALLATION:**
- An easy-to-follow D.I.Y. Installation Manual is supplied with each system, complete with illustrations and mounting brackets.



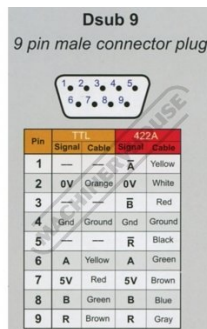
Product Brochure For D728

| MODEL | VS 10 | VS 20 | GS 30 |
|----------------------------------|--|--------------------------------------|---|
| Measuring Standard | Glass scale - Grating period: 20µm (0.020mm) | | |
| Optical Detecting System | Transmissive Infrared System: Wavelength - 880nm | | |
| Slide Carrier System | Vertical five bearing supporting system | 45° five bearing supporting system | Vertical five bearing supporting system |
| Resolution | 5µm | 5µm | 5µm |
| Measurement Travel (100-1200mm) | Every 50mm per length specification | - | Every 50mm per length specification |
| Measurement Travel (1300-3000mm) | - | Every 100mm per length specification | - |
| Accuracy (100-450mm) | ±6µm | - | ±6µm |
| Accuracy (500-800mm) | ±10µm | - | - |
| Accuracy (1050-1200mm) | ±15µm | - | - |
| Accuracy (1300-3000mm) | - | ±25µm | - |
| Repeatability | 2µm (0.002mm) | | |
| Hysteresis | 3µm (0.003mm) | | |
| Protection | DIN40050 IP53 | | |
| Power Supply | DC 5V ±5% | | |
| Output Signals | TTL | | |

Specific Features



DSub9 Male Plug



Dsub9 Wiring Diagram



DIY Installation



Parts



Close Up

Product Brochure For D728

Recommended Accessories

D709

Easson Scales - Extension
Cable



D710

Easson Scales - Extension
Cable



D772

Digital Readout Scale Mounting
Bracket Kit



D711

Adaptor Cable



D712

Adaptor Cable

