

## Product Brochure For D725

# 450mm Easson Digital Readout Scale

VS10 Standard Scale  
5µm Resolution



## Description

Easson VS series Glass Grating Linear Transducer: EASSON - Always committed to Quality, Technology & Innovation

## Features

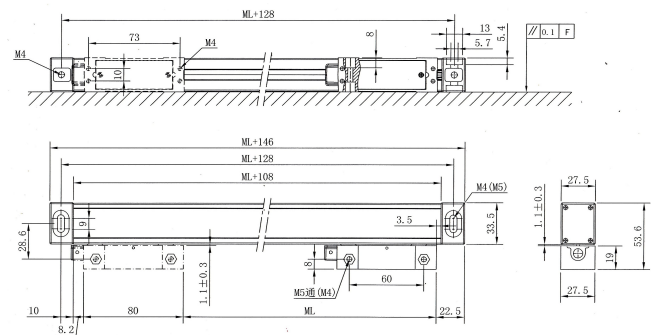
- **DOUBLE SEAL DESIGNED SCALES:**
- The plastic seals of the transducer use an innovative material to offer superior oil resistance, high elastic recovery properties and durability, carefully designed lip geometry offer low slide resistance.
- **100% LASER CALIBRATION:**
- All glass grating transducers are individually inspected and calibrated by our in-house laser calibrator to ensure accuracy complies 100% with the specifications.
- **ADVANCED OPTICAL MEASURING SYSTEM:**
- The slide carrier of the VS series scales, use a five bearing design for optical grating linear transducer which has been proven as the most reliable system design in today's market.
- The glass grating slide-ways are lapped, and JIS standard P5 grade bearings are used to achieve smooth and accurate movement and long working life.
- **D.I.Y. INSTALLATION:**
- An easy-to-follow D.I.Y. Installation Manual is supplied with each system, complete with illustrations and mounting brackets.

Back In Stock Soon

Ex GST  
**\$258.00**

Inc GST  
**\$296.70**

ORDER CODE:	D725
MODEL:	~
Type:	VS10 Standard Scale
Travel - Maximum (mm):	450
Overall Length (L) (mm):	596
Scale Resolution (µm):	5
Grating Pitch:	~
Accuracy (µm):	±3 - ±5
Output Signal:	~
Connector:	~
Cable Length (Metre):	3
Working Temperature (°C):	~
Sealing Protection Class:	~
Maximum Speed (M/min):	~
Reference Point:	~
Width x Height (W x H) (mm):	27.5 x 33.5
Backing Support Plate (Yes / No):	Yes



Product Brochure For D725

MODEL		VS 10	
<b>Measuring Standard</b>	Glass scale - Grating		
<b>Optical Detecting System</b>	Transmissive Infrared		
<b>Slide Carrier System</b>	Vertical five bearing supporting system	45° support	
<b>Resolution</b>	5µm		
<b>Measurement Travel (100-1200mm)</b>	Every 50mm per length specification		
<b>Measurement Travel (1300-3000mm)</b>	-	Every length	
<b>Accuracy (100-450mm)</b> <b>Accuracy (500-1000mm)</b> <b>Accuracy (1050-1250mm)</b> <b>Accuracy (1300-3000mm)</b>	±3 - ±5µm ±10µm ±10µm -		
<b>Repeatability</b>	2µm		
<b>Hysteresis</b>	3µm		
<b>Protection</b>	DIN		
<b>Power Supply</b>	DC		
<b>Output Signals</b>			

## Product Brochure For D725

### Specific Features



DSub9 Male Plug

**Dsub 9**  
9 pin male connector plug

Pin	ITL	422A	Signal	Cable	Signal	Color
1	—	—	A	—	—	Yellow
2	0V	—	Orange	0V	—	White
3	—	—	B	—	—	Red
4	Gnd	—	Ground	Gnd	—	Ground
5	—	—	R	—	—	Black
6	A	—	Yellow	A	—	Green
7	5V	—	Red	5V	—	Brown
8	B	—	Green	B	—	Blue
9	R	—	Brown	R	—	Gray

Dsub9 Wiring Diagram



DIY Installation

### Recommended Accessories

D709

Easson Scales - Extension Cable



D710

Easson Scales - Extension Cable



D772

Digital Readout Scale Mounting Bracket Kit



D711

Adaptor Cable



D712

Adaptor Cable

