

## Product Brochure For D200

---

### Drill Chuck Guard

190 x 200mm Guard Size

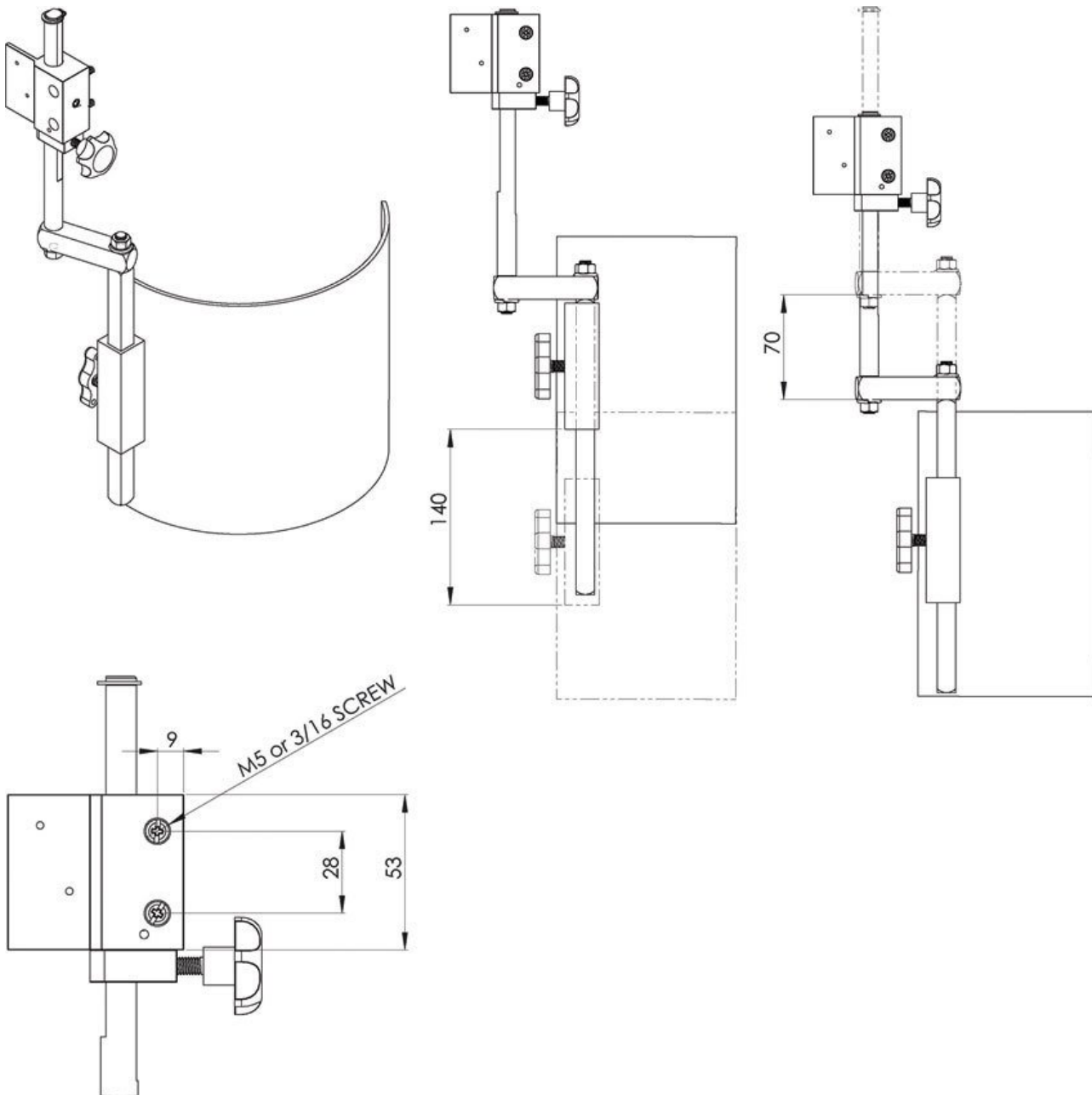
ORDER CODE:	D200
Guard Size (mm):	190 x 200



#### Description

Universal chuck guard suitable for drilling or milling machines. Easy to fit and is adjustable to suit any size machine.

Product Brochure For D200

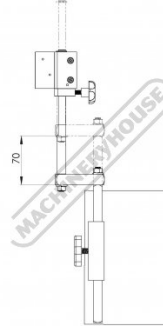
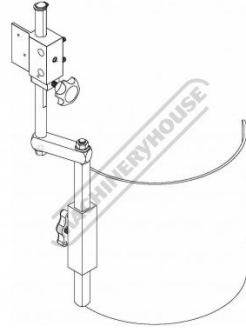


Product Brochure For D200

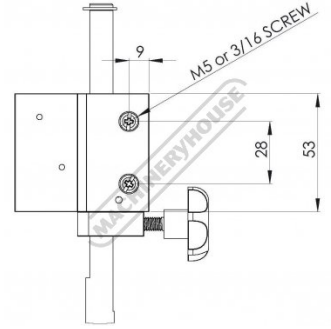
**Specific Features**



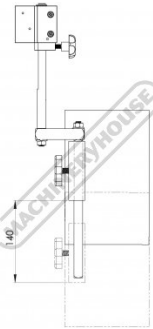
Show Mounted to Drilling Machine Complete Guard



Up Moving Diagram



Fixed Position Diagram



Down Moving Diagram