

Product Brochure For D126

Metric 135° Precision HSS Drill Set - 170 Pieces

Ø1 - Ø10mm

0.5mm Increments

On Sale

Ex GST

~~\$306.00~~

\$244.35

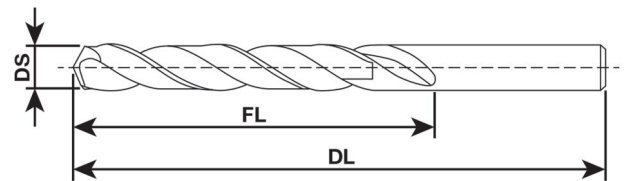
Inc GST

~~\$351.90~~

\$281.00



ORDER CODE:	D126
Flutes (Type):	Precision Ground
Number of Pieces (No.):	170
Drill Size Range (Inch / mm):	1 - 10mm
Metric / Imperial (-):	Metric
Drill Size Steps (Inch / mm):	0.5mm
Point Angle (Degrees):	135°
Standard (DIN):	DIN 338
Nett Weight (kg):	4.84



Description

Alcock Drill Bits are manufactured to DIN 338 standards from M35 HSS with 5% cobalt for outstanding durability, heat resistance, and drilling performance. Precision-ground flutes ensure fast chip removal, while the 135° split-point tip cuts quickly, self-centres, and reduces wandering—perfect for tougher steels.

You'll always be ready for the job with this kit—no more getting caught out after breaking or losing a drill bit. Every size is neatly stored in this tough, organized carry case, keeping your workshop tidy and your drill bits right at your fingertips.

Size range:
1.0 – 10.0mm in 0.5mm increments

Pieces Per Size Range:
10pcs per size (1.0–8.0mm)
5pcs per size (8.5–10.0mm)


Features

- 170pc kit - (1.0 - 10.0mm in 0.5mm increments)
- M35 Grade HSS including 5% Cobalt
- Designed for high durability & heat resistance
- Precision ground flutes for fast chips removal
- 135° cuts faster & split point tip reduces wandering
- Manufactured to DIN 338 Standard
- Bronze oxide finish to reduce friction

Product Brochure For D126

170 Piece - METRIC DRILL SET

- M35 Grade HSS with 5% Cobalt
- Designed for high durability & heat resistance
- Precision ground flutes for fast chips removal
- 135° cuts faster & split point tip reduces wandering




HSS
M35 GRADE

5%
COBALT


DIN
338

10 Pcs
PER
SIZE


5 Pcs
PER
SIZE



135°



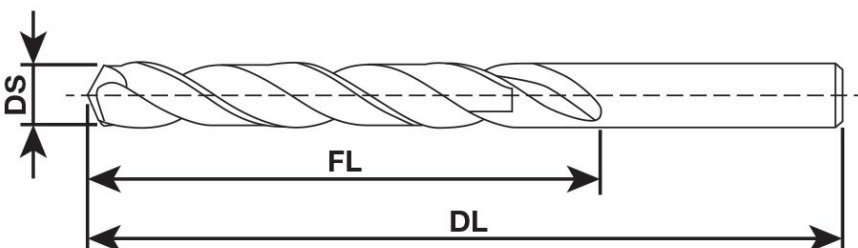
SPLIT POINT



HIGH HEAT
RESISTANCE

1~8
mm

8.5~10
mm



DRILL SIZE (DS)	PIECES per size	FLUTE LENGTH (FL)	DRILL LENGTH (DL)
1.0mm	10pcs	12	34
1.5mm	10pcs	20	43
2.0mm	10pcs	24	49
2.5mm	10pcs	30	57
3.0mm	10pcs	33	61
3.5mm	10pcs	39	70
4.0mm	10pcs	43	75
4.5mm	10pcs	47	80
5.0mm	10pcs	52	86
5.5mm	10pcs	57	93
6.0mm	10pcs	57	93
6.5mm	10pcs	63	101
7.0mm	10pcs	69	109
7.5mm	10pcs	69	109
8.0mm	10pcs	75	117
8.5mm	5pcs	75	117
9.0mm	5pcs	81	125
9.5mm	5pcs	81	125
10.0mm	5pcs	87	133

Product Brochure For D126

Specific Features



Lid Open with Plastic Cover



Lid Open



Case

JOBBER DRILL PACKS

- M35 Grade HSS with 5% Cobalt
- Designed for high durability & heat resistance
- Precision ground flutes for fast chips removal
- 135° cuts faster & split point tip reduces wandering

HSS M35 GRADE	5% COBALT	DIN 338	10 Pcs PER SIZE	5 Pcs PER SIZE
135°	SPLIT POINT	HIGH HEAT RESISTANCE	1-8 mm	8.5-10 mm

170 Piece Set

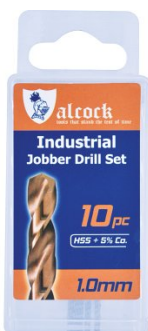
170 Pce METRIC HSS DRILL SET			
DRILL SIZE (D)	PIECES per size	FLUTE LENGTH (FL)	DRILL LENGTH (DL)
1.0mm	10pcs	12	34
1.5mm	10pcs	20	43
2.0mm	10pcs	24	49
2.5mm	10pcs	30	57
3.0mm	10pcs	33	61
3.5mm	10pcs	39	70
4.0mm	10pcs	43	75
4.5mm	10pcs	47	80
5.0mm	10pcs	52	86
5.5mm	10pcs	57	93
6.0mm	10pcs	57	93
6.5mm	10pcs	63	101
7.0mm	10pcs	69	109
7.5mm	10pcs	69	109
8.0mm	10pcs	75	117
8.5mm	5pcs	75	117
9.0mm	5pcs	81	125
9.5mm	5pcs	81	125
10.0mm	5pcs	87	133

Manufactured to DIN 338 Standards

Recommended Accessories

D8150

HSS Jobber Drill Pack - 10 Piece



D8174

HSS Jobber Drill Pack - 5 Piece



D1272

Metric 135° Precision HSS Drill Set - 25 Piece



D1282

Imperial 135° Precision HSS Drill Set - 29 Piece



Product Brochure For D126

D1285
Metric 135° Precision HSS Drill Set - 51 Piece



C289
Heavy Duty Drill Chuck - Keyed Type



C290
Heavy Duty Drill Chuck - Keyed Type



C292
Industrial Drill Chuck - Keyless Type



C294
Industrial Drill Chuck - Keyless Type



T012
Metric Alloy Steel Tap & Die Set - 32 Piece



T013
Metric HSS Tap & Die Set - 32 Piece



T014
Metric Alloy Steel Tap & Die Set - 45 Piece



T015
Imperial Alloy Steel Tap & Die Set - 45 Piece



D502
HSS Centre Drill - No. 2



D503
HSS Centre Drill - No.3



D504
HSS Centre Drill - No. 4



Product Brochure For D126

D505
HSS Centre Drill - No. 5



T019
Metric HSS Hand Tap & Drill Set
- 29 Piece



D107
HSS Step Drill Sets



D106
Countersink Sets – 90° Three Flute



D105
Deburring Countersink Sets –
90° Cross Hole



D111
Precision Drill Sharpener



D112
Precision Drill Sharpener

