

Product Brochure For C926

Collet & Chuck Set - 20 Piece - 3MT x ER32

Collet Range Ø2 - Ø20mm
"Made in Taiwan"



Package Deal

| Ex GST | Inc GST |
|----------|----------|
| \$476.00 | \$547.40 |

Package Contents - SAVE \$46.00 (Inc)

| | |
|---|-----------------|
| 1 x C105 - Collet Chuck - 3MT x ER32 3MT x ER32 | \$126.50 |
| 1 x C922 - ER32 Collet Set - 18 Piece | \$420.90 |
| 1 x C932 - ER32 Collet Chuck Wrench | \$46.00 |
| Normal Price (Inc): | \$593.40 |

| | |
|----------------------------|--|
| ORDER CODE: | C926 |
| Chuck Taper: | 3MT |
| Collet Type: | ER32 |
| Number of Collets (No.): | 18 |
| Collet Diameter Range (Ø): | 3-2, 4-3, 5-4, 6-5 & 7-6, 8-7, 9-8, 10-9 & 11-10, 12-11, 13-12 & 14-13, 15-14, 16-15 & 17-16, 18-17, 19-18 & 20-19mm |
| Drawbar Thread: | 1/2" Whitworth |



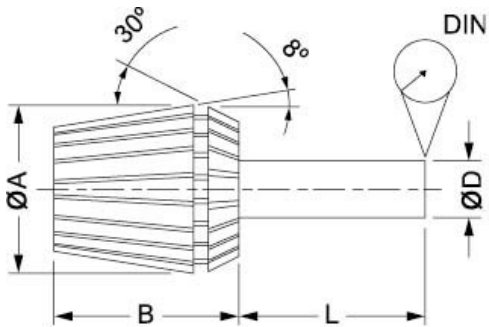
Description

Precision MT3 collet chuck complete with a full set of ER32 collets.

Features

- Includes spanner
- Chuck and collets as listed
- Blow-mould case

Product Brochure For C926



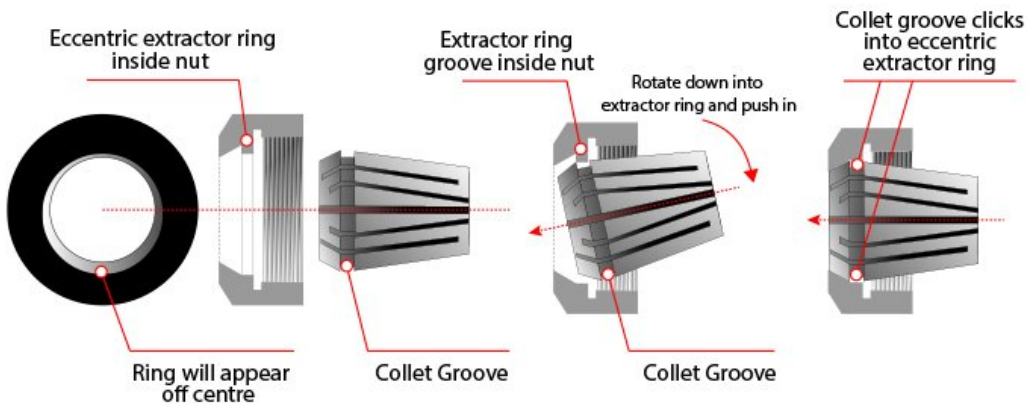
| Collet | A | B | L | DIN | RANGE (D) |
|--------|------|----|----|------|-----------|
| ER11 | 11.5 | 18 | 6 | 0.02 | 0.5-7.0 |
| ER16 | 17 | 27 | 10 | 0.02 | 0.5-10.0 |
| ER20 | 21 | 31 | 16 | 0.02 | 1.0-13.0 |
| ER25 | 26 | 35 | 25 | 0.02 | 1.0-16.0 |
| ER32 | 33 | 40 | 40 | 0.02 | 2.0-20.0 |
| ER40 | 41 | 46 | 50 | 0.03 | 3.0-26.0 |

Installation Guide - Please see downloads for full details

1.

2.

3.



Recommended Accessories

C932
ER32 Collet Chuck Wrench

C117
Collet Nut ER32

C105
Collet Chuck - 3MT x ER32

C912
ER32 Collet

