

Product Brochure For C922A

Collet & Chuck Set - 8 Piece - 3MT x ER32

Collet Range $\varnothing 5 - \varnothing 20\text{mm}$

"Made in Taiwan"



ORDER CODE:	C922A
Chuck Taper:	3MT
Collet Type:	ER32
Number of Collets (No.):	6
Collet Diameter Range (\varnothing):	6-5, 8-7, 10-9, 12-11 & 16-15, 20-19mm
Drawbar Thread:	1/2" Whitworth

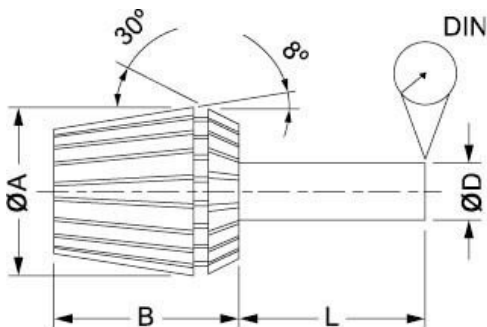


Description

Precision 3MT chuck and collet set. Requires 7-6mm and 13-12mm to cover imperial shanks

Features

- Includes spanner
- Chuck and collets as listed
- Blow-mould case
- Extra collets available



Collet	A	B	L	DIN	RANGE (D)
ER11	11.5	18	6	0.02	0.5-7.0
ER16	17	27	10	0.02	0.5-10.0
ER20	21	31	16	0.02	1.0-13.0
ER25	26	35	25	0.02	1.0-16.0
ER32	33	40	40	0.02	2.0-20.0
ER40	41	46	50	0.03	3.0-26.0

Product Brochure For C922A

Recommended Accessories

C932
ER32 Collet Chuck Wrench

C117
Collet Nut ER32

C105
Collet Chuck - 3MT x ER32

C907
ER32 Collet



C913
ER32 Collet

