

Product Brochure For C9225

ER32 Collet Set (High Accuracy) - 18 Piece

Collet Range $\varnothing 2 - \varnothing 20\text{mm}$

ORDER CODE:	C9225
Type:	ER32
Pieces in Set (No.):	18
Collet Range:	3-2, 4-3, 5-4, 6-5 & 7-6, 8-7, 9-8, 10-9 & 11-10, 12-11, 13-12 & 14-13, 15-14, 16-15 & 17-16, 18-17, 19-18 & 20-19mm

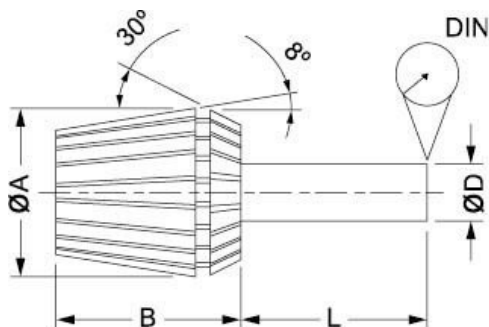


Description

18 Piece collet set with Hi-Accuracy of 0.01mm
Suitable where high speeds and long tool life is required.
Finished in Black to easy distinguish between standard collets

Features

- Includes collets as listed
- Packaged in a aluminium case
- Accuracy 0.01mm at 4 x diameter



Collet	A	B	L	DIN	RANGE (D)
ER11	11.5	18	6	0.02	0.5-7.0
ER16	17	27	10	0.02	0.5-10.0
ER20	21	31	16	0.02	1.0-13.0
ER25	26	35	25	0.02	1.0-16.0
ER32	33	40	40	0.02	2.0-20.0
ER40	41	46	50	0.03	3.0-26.0

Product Brochure For C9225

Specific Features



Collets Set

Case

Case Top View

Collets Top View

Recommended Accessories

C117
Collet Nut ER32

C105
Collet Chuck - 3MT x ER32

C907
ER32 Collet

C913
ER32 Collet

