

Product Brochure For C909

ER32 Collet

Ø9-Ø8mm

"Made in Taiwan"



On Sale

Ex GST

~~\$26.00~~

\$19.13

Inc GST

~~\$29.90~~

\$22.00

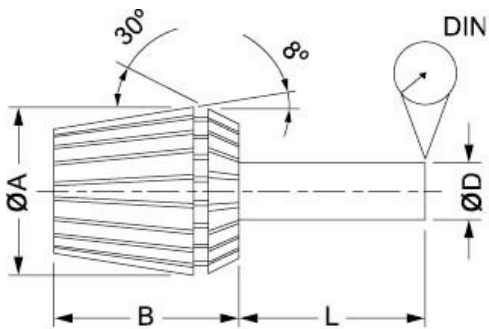
| | |
|-----------------------|-------|
| ORDER CODE: | C909 |
| Type: | ER32 |
| Metric Size (mm): | 9 - 8 |
| Imperial Size (inch): | ~ |



Features

- Manufactured to DIN standard
- Collet size covers a range from expanded to compressed
- Collets from 2mm have 1mm of movement
- Collets are listed by their expanded size
- Eg. When ordering an ER32-3 the range is from 3mm expanded to 2mm compressed

Product Brochure For C909



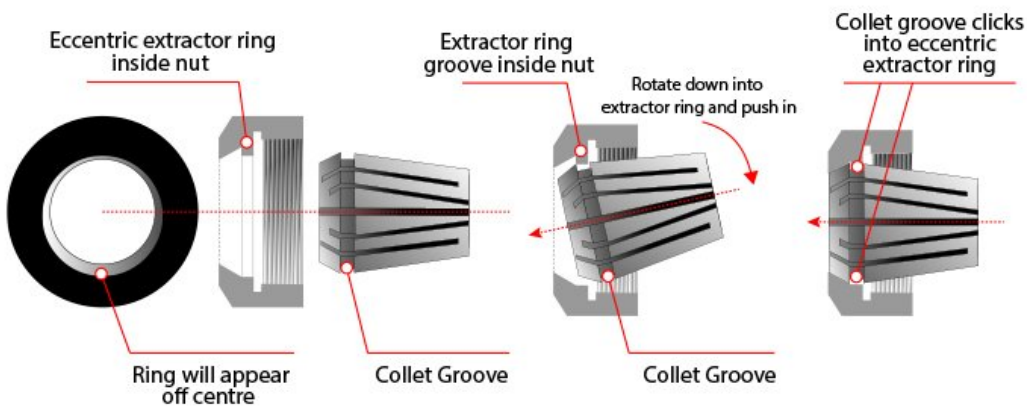
| Collet | A | B | L | DIN | RANGE (D) |
|--------|------|----|----|------|-----------|
| ER11 | 11.5 | 18 | 6 | 0.02 | 0.5-7.0 |
| ER16 | 17 | 27 | 10 | 0.02 | 0.5-10.0 |
| ER20 | 21 | 31 | 16 | 0.02 | 1.0-13.0 |
| ER25 | 26 | 35 | 25 | 0.02 | 1.0-16.0 |
| ER32 | 33 | 40 | 40 | 0.02 | 2.0-20.0 |
| ER40 | 41 | 46 | 50 | 0.03 | 3.0-26.0 |

Installation Guide - Please see downloads for full details

1.

2.

3.



Recommended Accessories

C921
ER32 Collet Set - 6 Piece

C922
ER32 Collet Set - 18 Piece

C9245
Collet & Chuck Set - 8 Piece

C925
Collet & Chuck Set - 8 Piece



Product Brochure For C909

C926
Collet & Chuck Set - 20 Piece



C927
Collet & Chuck Set - 20 Piece



C928
Collet & Chuck Set - 20 Piece



C929
Collet & Chuck Set - 20 Piece



C929A
Collet & Chuck Set - 20 Piece



C931
32 x 100 x ER32 Collet Chuck -
Straight



C105
Collet Chuck - 3MT x ER32



C106
Collet Chuck - R8 x ER32



C110
Collet Chuck - NT30 x ER32



C112
Collet Chuck NT40 - ER32



T332
BT30 x ER32-60 Collet Chuck



T220
BT40 x ER32-70 Collet Chuck



Product Brochure For C909

T224

BT40 x ER32-100 Collet Chuck

T448

BT50 x ER32-100 Collet Chuck

T007

BT40 x ER32 Floating Tap Holder

T008

ER32 x 32 x 100 Floating Tap Holder

