

Product Brochure For C843

ER20 Collet

Ø2-Ø1mm

"Made in Taiwan"



On Sale - Back In Stock Soon

Ex GST

~~\$22.00~~

\$18.26

Inc GST

~~\$25.30~~

\$21.00

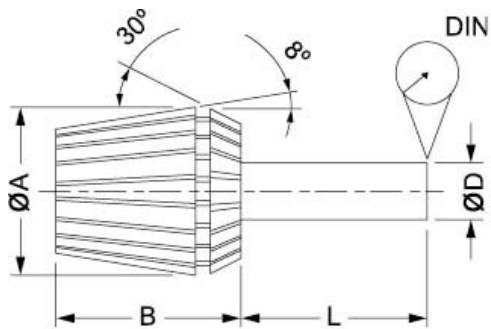
ORDER CODE:	C843
Type:	ER20
Metric Size (mm):	2 - 1
Imperial Size (inch):	~



Features

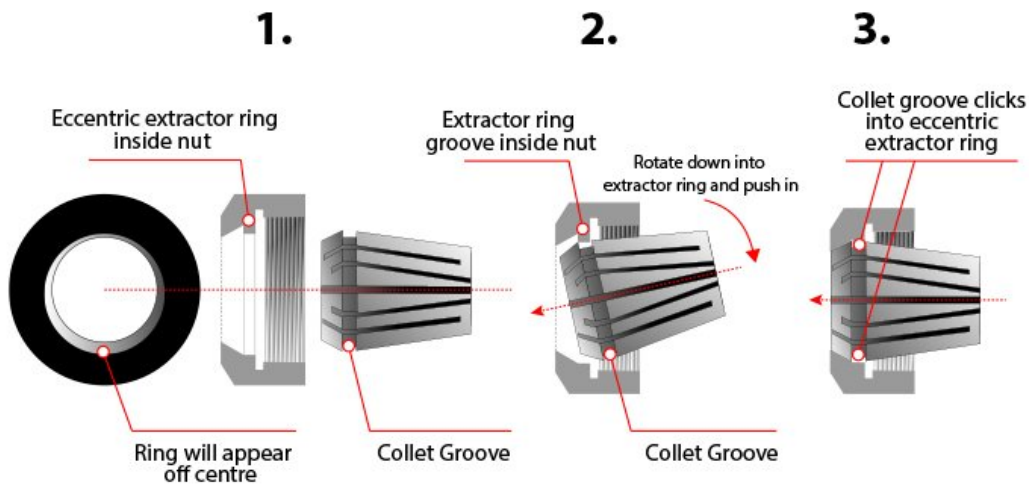
- Manufactured to DIN standard
- Collet size covers a range from expanded to compressed
- Collets from 2mm have 1mm of movement
- Collets are listed by their expanded size
- Eg. When ordering an ER32-3 the range is from 3mm expanded to 2mm compressed

Product Brochure For C843



Collet	A	B	L	DIN	RANGE (D)
ER11	11.5	18	6	0.02	0.5-7.0
ER16	17	27	10	0.02	0.5-10.0
ER20	21	31	16	0.02	1.0-13.0
ER25	26	35	25	0.02	1.0-16.0
ER32	33	40	40	0.02	2.0-20.0
ER40	41	46	50	0.03	3.0-26.0

Installation Guide - Please see downloads for full details



Recommended Accessories

C854
Collet Chuck - 25 x 70L x ER20
Straight

T208
BT40 x ER20-70 Collet Chuck

T209
BT40 x ER20-100 Collet Chuck

